



*Thompson Architectural  
Metals*

**TM-RIB METAL ROOFING COMPONENTS**

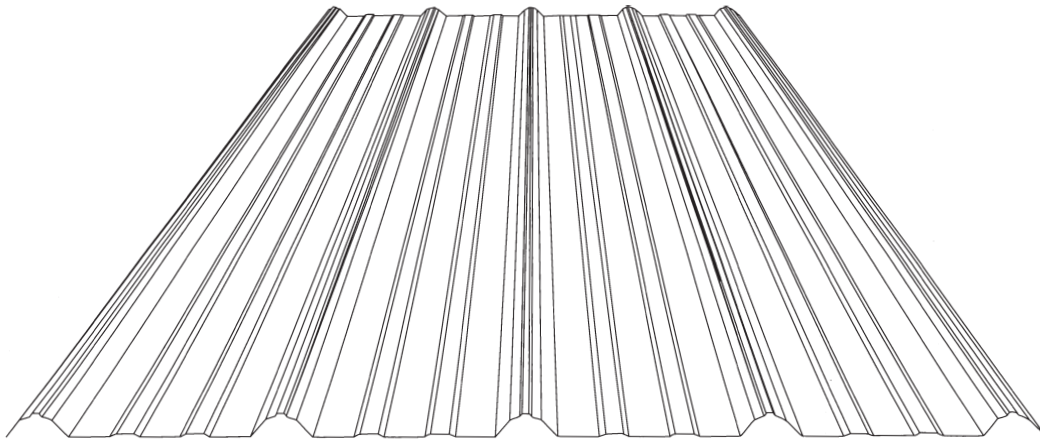
(813) 248-3456

(800) 248-3456

Fax (813) 247-4616

[www.tamcometalroofs.com](http://www.tamcometalroofs.com)

## **TM-RIB PANEL ACCESSORY DETAIL GUIDE**



**FL11101.1**

**FL11101.2**

**TA125 (UL580 Class 90) Certified**



Thompson Architectural Metal Roofing is proud to be a partner of the Energy Star Roof Products Program

### **SINGLE SOURCE SERVICE**

Take Offs and Site Specific Engineering are available. Contact your local distributor for details.

[www.tamcometalroofs.com](http://www.tamcometalroofs.com)



# Thompson Architectural Metals

**TM-RIB METAL ROOFING COMPONENTS**

(813) 248-3456

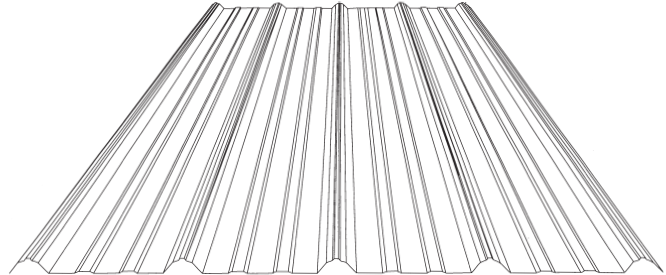
(800) 248-3456

Fax (813) 247-4616

[www.tamcometalroofs.com](http://www.tamcometalroofs.com)

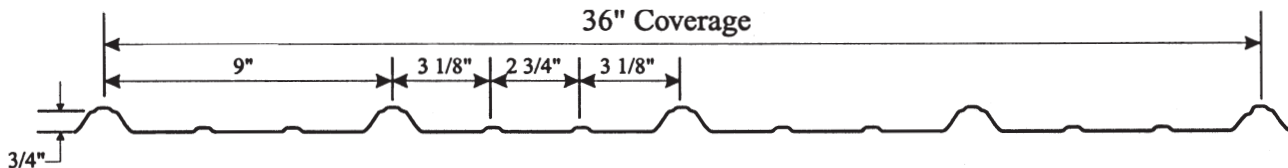
## TM-RIB

- AGRICULTURAL
- RESIDENTIAL
- LIGHT COMMERCIAL / INDUSTRIAL
- POST-FRAME BUILDINGS
- BACKYARD SHEDS
- RETROFIT OVER EXISTING ROOF
- GARAGES, PORCHES, GAZEBOS, ETC...



### SPECIFICATIONS:

Finish	Gauge	Min. Thickness (in.)	Nominal Net Coverage	Specifications
Galvalume	29	0.0142	36"	ASTM A-792, AZ-55
Painted	26	0.0187	36"	SMP-Coat Paint System
Galvalume	26	0.0187	36"	ASTM A-792, AZ-55
Galvalume	24	0.024	36"	ASTM A-792, AZ-55



### APPLICATIONS:

Thompson Architectural Metal's TM-RIB is a wise investment for any roofing project. TM-RIB provides an attractive, durable and economical metal panel system. Strong, bold 3/4" ribs with two stiffening beads gives TM-RIB excellent spanning capabilities. A unique siphon channel provides maximum weathertightness in the harshest weather conditions. Custom lengths, cut to the inch, are available from 6 feet to 40 feet.

### ACCESSORIES:

Thompson Architectural Metal manufactures a full line of standard trim and accessory items to compliment your TM-RIB project. Custom made trim and accessories are available upon request. Please request an Accessory Detail Manual for detailed installation instruction.

### FINISHES:

Thompson Architectural Metal's TM-RIB panel is produced in a bare ASTM A-792 Structural Steel. AZ-55 Galvalume finish has the qualities of not only being very durable and cost effective, but also offers an attractive spangled appearance. The Thompson paint system offers optimum exterior protection plus superior resistance to corrosion and ultra violet radiation. All of Thompson Architectural Metal's TM-RIB finishes are of the highest known quality in the industry. 40 year SMP Paint Finish Warranty. Galvalume® ASTM-792.

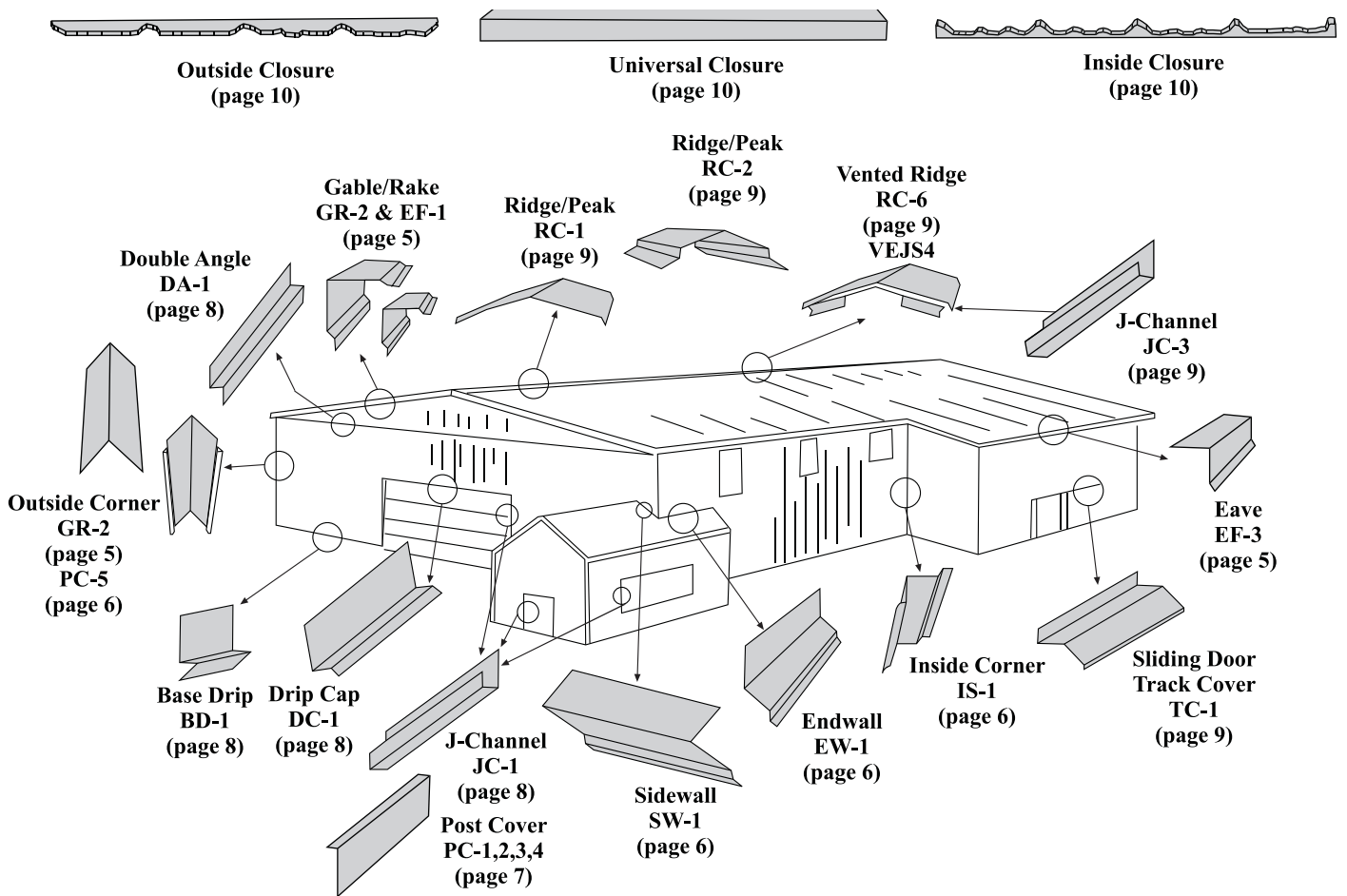


# TM-RIB PANEL ACCESSORIES

The diagram below represents the most popular trim accessories for use with TM-RIB Panel.

TM-RIB Panel is available in 26 & 29 Gauge Acrylic Coated Galvalume, Galvanized, and the following 26 Gauge Galvalume Painted Thompson Colors: Thompson White, Black, Grey, Beige, Marine Green, Lightstone, Country Red, Brown, Island Blue, Forest Green, Bone White.

**Premium Colors:** Dark Bronze, Copper Penny and Patina Green. Special Colors available upon request.



**NOTICE:** Building Code Requirements for metal roofing applications vary per county and project. Please contact your local building and zoning department for pertinent information prior to construction.

**IMPORTANT:** Consult Manufacturer for detail manual prior to installation.



# Thompson Architectural Metals

TM-RIB METAL ROOFING COMPONENTS

(813) 248-3456

(800) 248-3456

Fax (813) 247-4616

www.tamcometalroofs.com

## FASTENING SCHEDULE

### DIAGRAM A



Fastening Schedule for Eaves, Ridges, and Endlaps



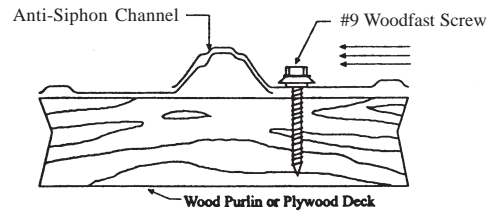
Fastening Schedule for all intermediate purlins

### Screws

### Nails



Fastening Schedule for all NAILS



SIDE LAP DETAIL

## TM-RIB PANEL INSTALLATION SPECIFICATIONS

**ROOF APPLICATION:** Roof slope must be a minimum of 3/12 pitch to use this product.

**Note:** In residential applications, building codes require a plywood deck with the use of #30 felt to provide adequate thermal and moisture barrier protection. (Batten strips 16" on center attached to a plywood deck are optional. Should the building parameters differ from the parameters stated in the fastening schedule, then the fastening calculations must be computed by an engineer to meet the specific wind requirements.)

1. Start at the gable or rake opposite of the prevailing wind. The leading edge should be the uneven rib.
2. It is imperative that the panels be laid in square to ensure proper lapping (Many installers pop a chalk line 38" from the gable edge running from the ridge to the eave to use as a guide).
3. **SIDE LAP PROCEDURE:** Please see the side lap detail. Pay careful attention that the uneven rib is over lapped by the uneven rib as shown in the side lap detail. Pay careful attention that the uneven rib is over lapped by the even rib as shown in the side lap detail.
4. **END LAP PROCEDURE:** When long panels are required, Thompson Metal's recommends the customer to consider end lapping the panels a minimum of 12" to insure proper drainage. Two strips of butyl sealant tape should be used at the end lap and fastened on the uphill side of the strips of butyl sealant tape.
5. **EAVE DETAIL PROCEDURE:** Thompson Metals recommends the use of an eave flashing with butyl sealant tape above and below the closure strip (inside) which will go between the underside of the roofing panel and the top side of the flashing to avoid water infiltration. See page 5.
6.  **RIDGE DETAIL PROCEDURE:** The appropriate ridge cap is placed on top of closure strips (outside) with butyl sealant tape above and below the closure fastened through each rib at 9" on center. See page 8.
7. **FASTENERS:** Consult Thompson Metals on specific recommendations regarding compatible fasteners. Fastener selection is based on the substrate of the specific material chosen for application.  
Metal-to-Wood Application: TM-Rib panels should be fastened by a minimum of #9 x 1-1/2" compatible fastener.  
Metal-to-Metal Application: TM-Rib panels should be fastened with a minimum #12 x 1" hex head Tek screw.

### SIDING APPLICATIONS:

1. TM-Rib panels used as siding are side lapped the same as in the roofing application.
2. It is best to start a siding sheet at a large opening (i.e. sliding door, window, door, etc.) so that the panels are square.
3. Butyl sealant tape is not required for side lap applications. However, butyl sealant tape is recommended where any closures are required.

**TRIMMING AND CUTTING STEEL PANELS:** Whether cutting with the profile (length-wise) or across the profile (width-wise), it is best to use a steel blade or an abrasive, self-consuming (carbundum) blade with an electric saw, hand tin-snips, or a nibbler. It is very important to cut panels one at a time with the finish side of the panel facing down on wood blocks. Care should be taken to ensure that the hot metal particles and filings from the cutting do not become embedded in the panel.

**Note:** Filings from screw cuttings must also be cleaned off the panels after screws have been applied through the panel to avoid rust marks or "bleeding" on the panels.

Failure to comply with the above procedures relieves Thompson metals of responsibility for any resulting damage to, or deterioration of the finish and voids any paint or finish warranty.



# Thompson Architectural Metals

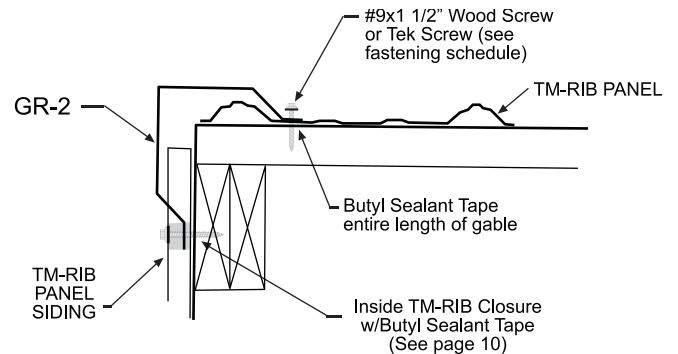
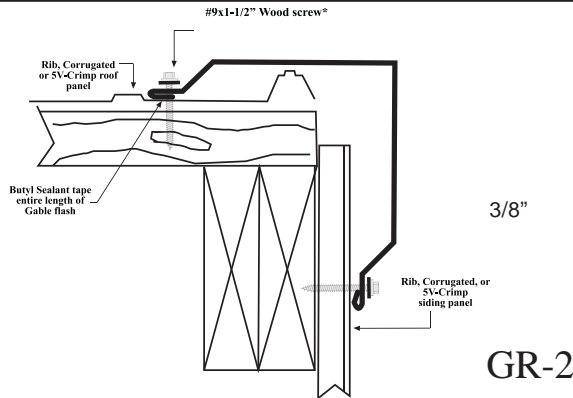
## TM-RIB METAL ROOFING COMPONENTS

(813) 248-3456

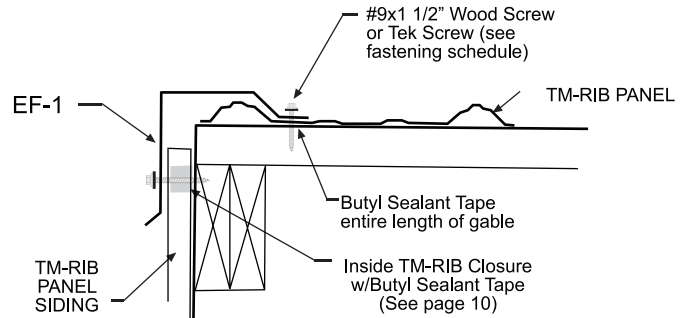
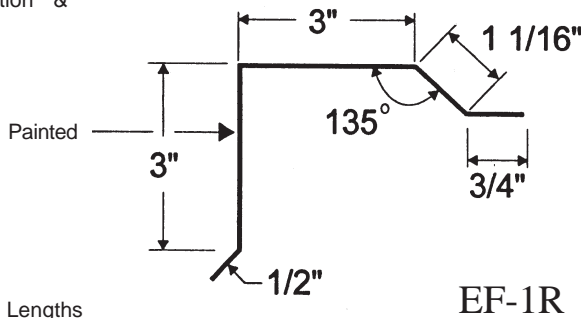
(800) 248-3456

Fax (813) 247-4616

www.tamcometalroofs.com

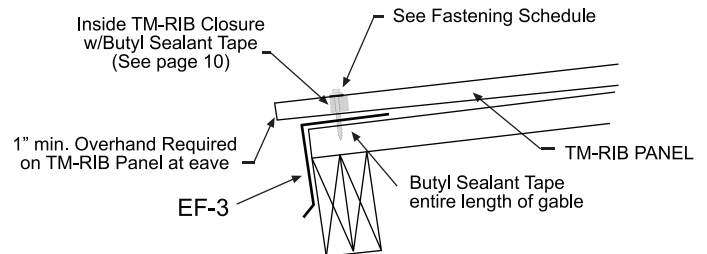
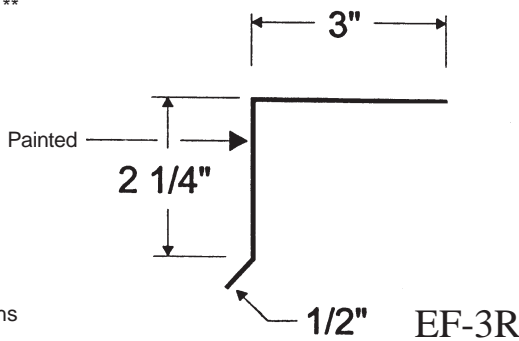


Selection \* & \*\*



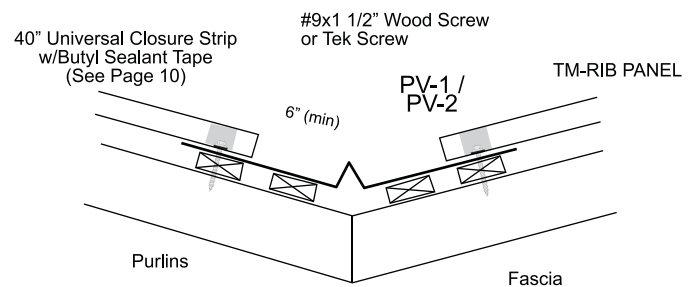
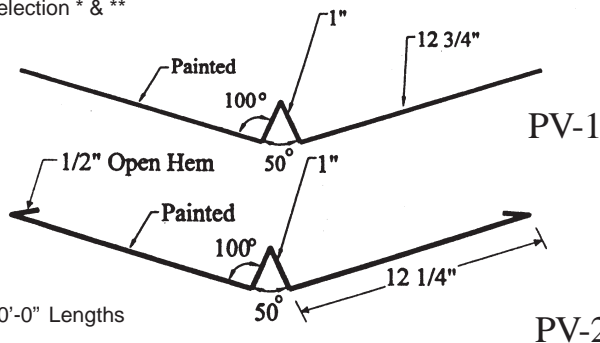
10'-0" Lengths

Selection \* & \*\*



10'-0" Lengths

Selection \* & \*\*



10'-0" Lengths

**TM-LOCK PANEL AVAILABLE IN 26 GAUGE PAINTED AND 26 & 29 GAUGE ACRYLIC GALVALUME**

Thompson White • Black • Grey • Beige • Marine Green • Lightstone • Country Red • Island Blue • Forest Green • Brown • Bone White  
Premium Colors: Dark Bronze • Copper Penny • Patina Green

THOMPSON ARCHITECTURAL METALS • 5015 E. Hillsborough Avenue • Tampa, FL 33610 • (813) 248-3456 • Fax (813) 247-4616



# Thompson Architectural Metals

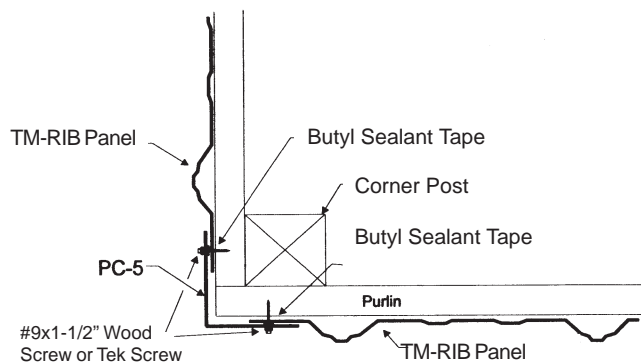
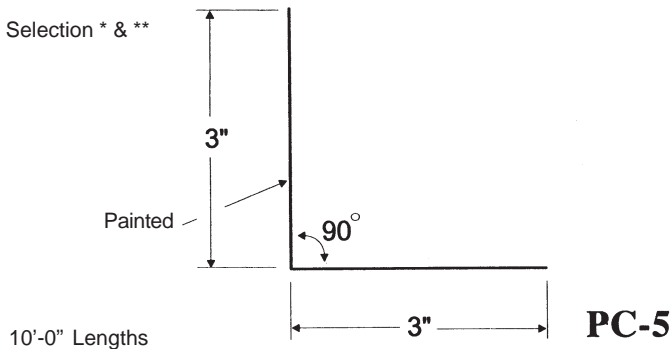
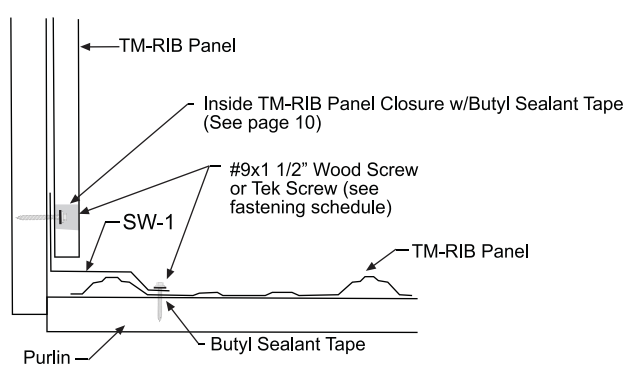
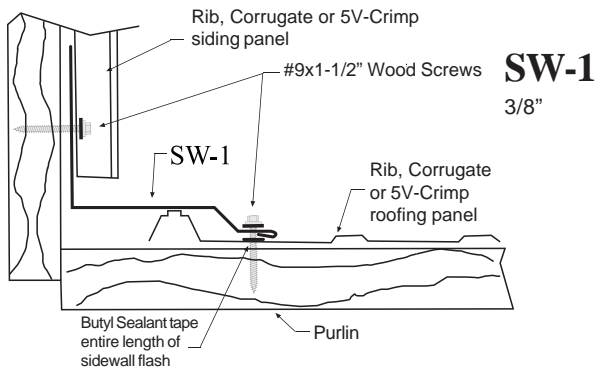
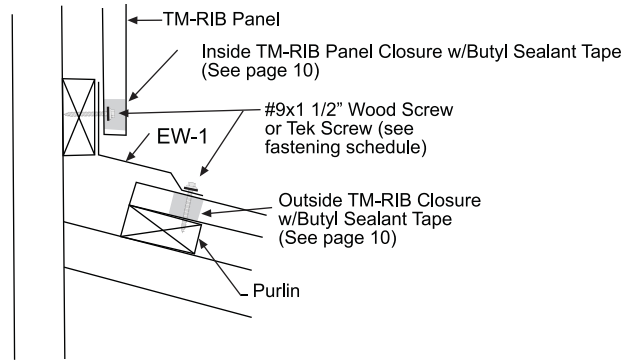
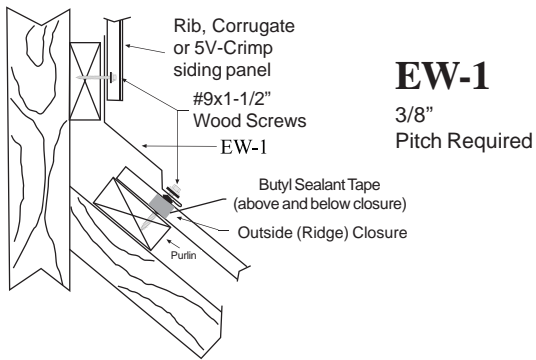
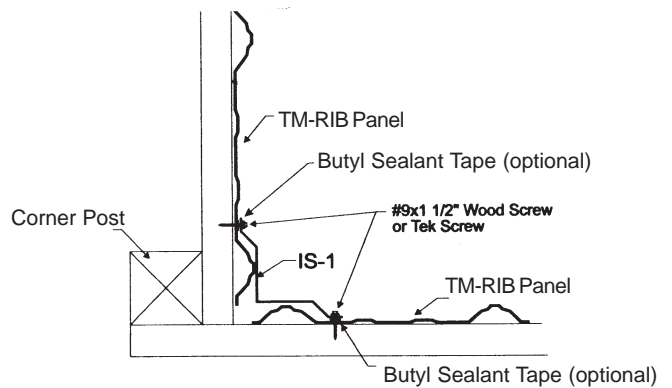
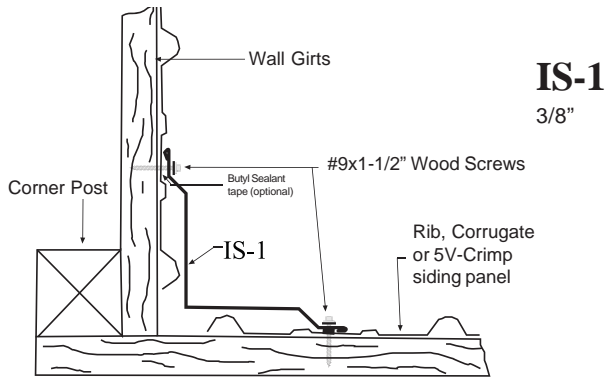
(813) 248-3456

(800) 248-3456

Fax (813) 247-4616

www.tamcometalroofs.com

## TM-RIB METAL ROOFING COMPONENTS



**TM-LOCK PANEL AVAILABLE IN 26 GAUGE PAINTED AND 26 & 29 GAUGE ACRYLIC GALVALUME**

Thompson White • Black • Grey • Beige • Marine Green • Lightstone • Country Red • Island Blue • Forest Green • Brown • Bone White  
Premium Colors: Dark Bronze • Copper Penny • Patina Green

THOMPSON ARCHITECTURAL METALS • 5015 E. Hillsborough Avenue • Tampa, FL 33610 • (813) 248-3456 • Fax (813) 247-4616



# Thompson Architectural Metals

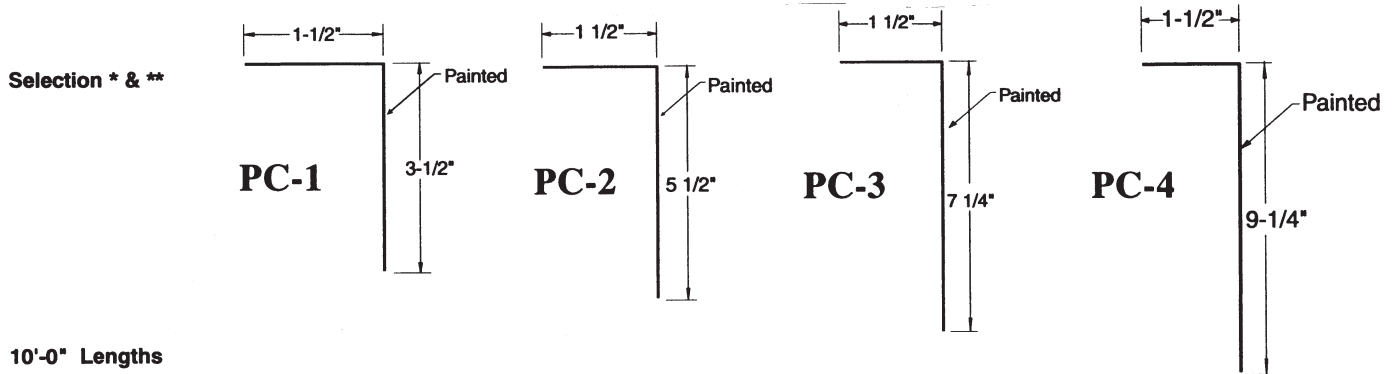
## TM-RIB METAL ROOFING COMPONENTS

(813) 248-3456

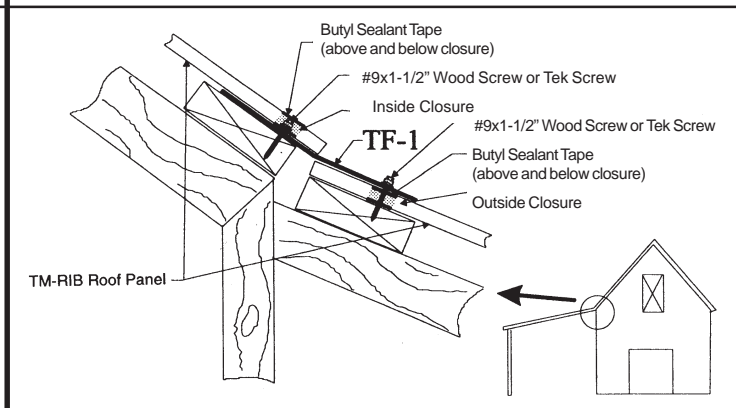
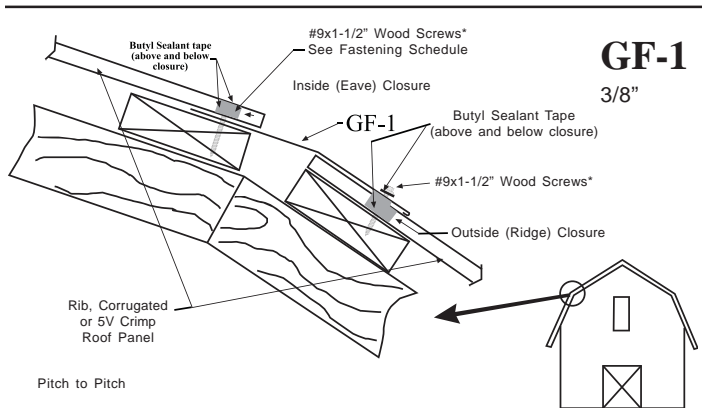
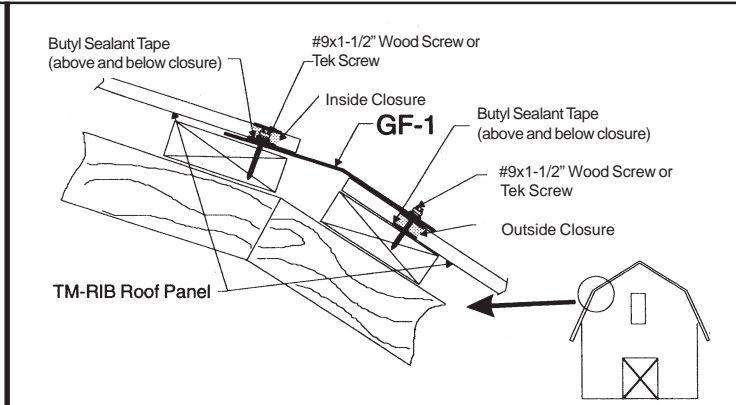
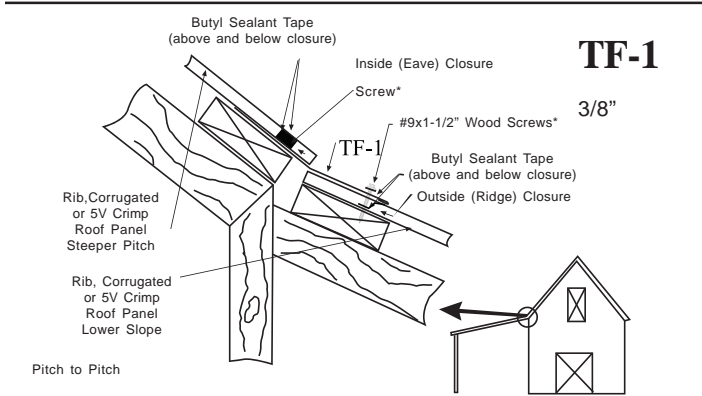
(800) 248-3456

Fax (813) 247-4616

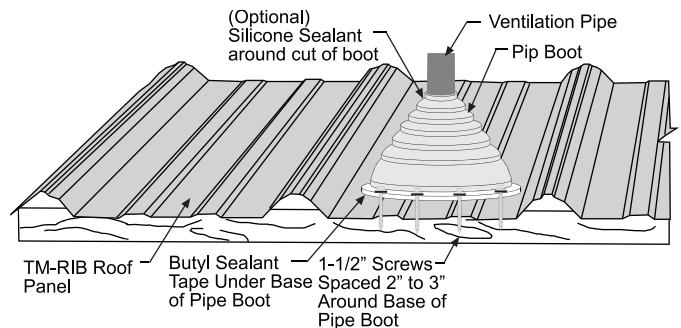
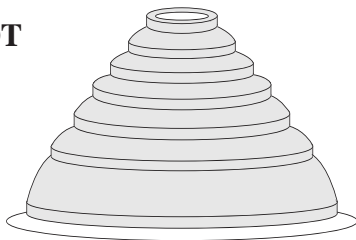
www.tamcometalroofs.com



10'-0" Lengths



### PIPE BOOT



**TM-LOCK PANEL AVAILABLE IN 26 GAUGE PAINTED AND 26 & 29 GAUGE ACRYLIC GALVALUME**

Thompson White • Black • Grey • Beige • Marine Green • Lightstone • Country Red • Island Blue • Forest Green • Brown • Bone White  
 Premium Colors: Dark Bronze • Copper Penny • Patina Green

THOMPSON ARCHITECTURAL METALS • 5015 E. Hillsborough Avenue • Tampa, FL 33610 • (813) 248-3456 • Fax (813) 247-4616



# Thompson Architectural Metals

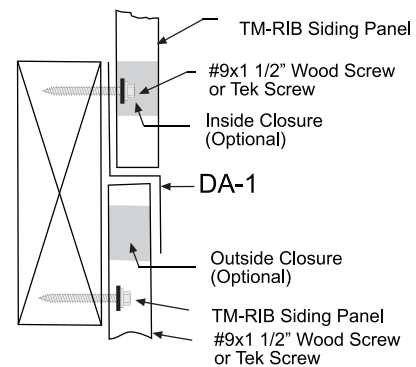
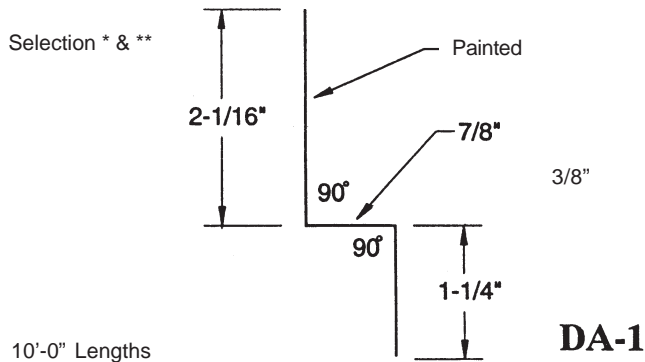
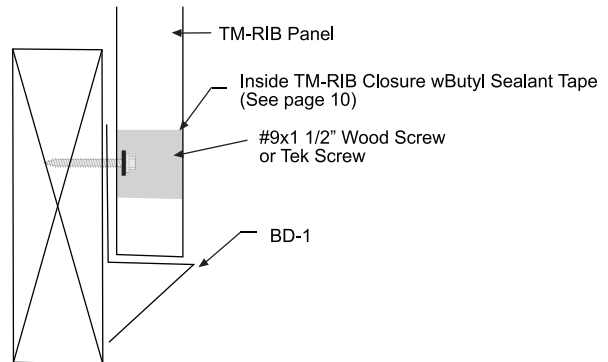
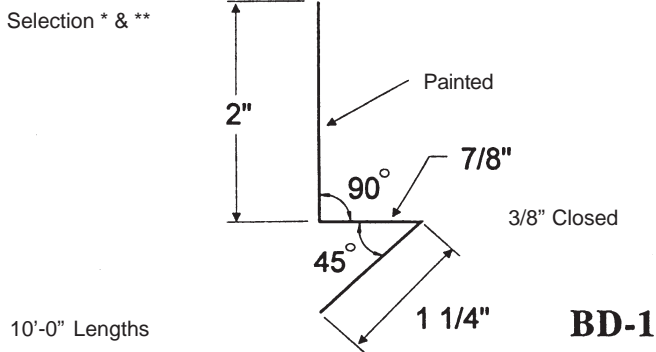
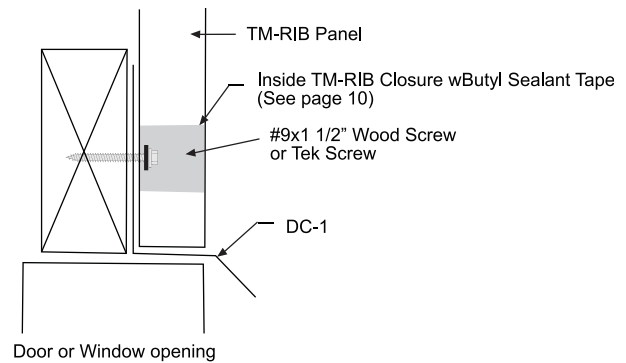
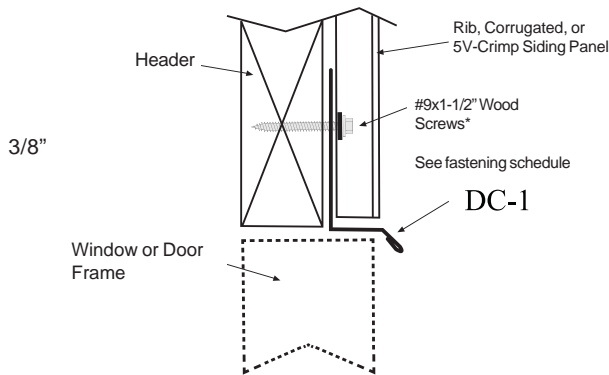
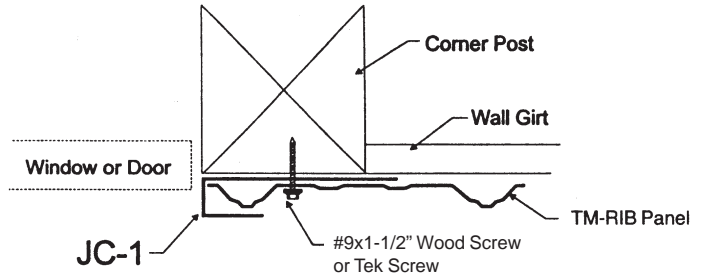
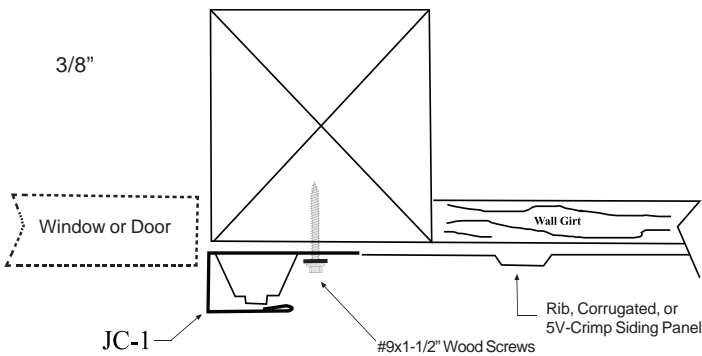
## TM-RIB METAL ROOFING COMPONENTS

(813) 248-3456

(800) 248-3456

Fax (813) 247-4616

www.tamcometalroofs.com



**TM-LOCK PANEL AVAILABLE IN 26 GAUGE PAINTED AND 26 & 29 GAUGE ACRYLIC GALVALUME**  
 Thompson White • Black • Grey • Beige • Marine Green • Lightstone • Country Red • Island Blue • Forest Green • Brown • Bone White  
 Premium Colors: Dark Bronze • Copper Penny • Patina Green





# Thompson Architectural Metals

## TM-RIB METAL ROOFING COMPONENTS

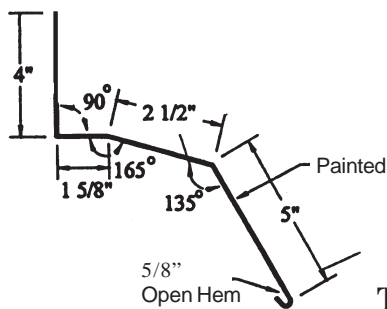
(813) 248-3456

(800) 248-3456

Fax (813) 247-4616

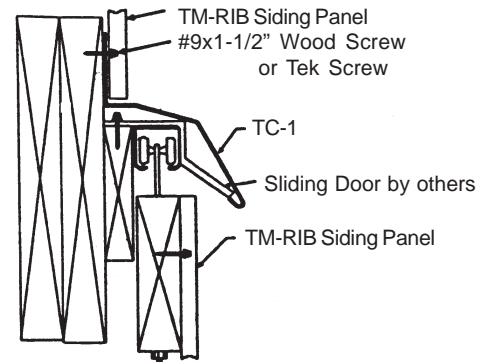
www.tamcometalroofs.com

Selection \* & \*\*

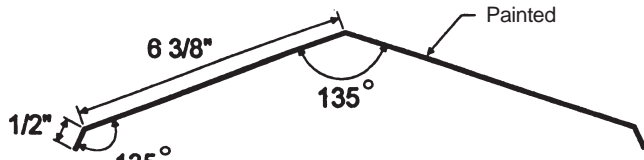


Length 10'-0"

TC-1



Selection \* & \*\*

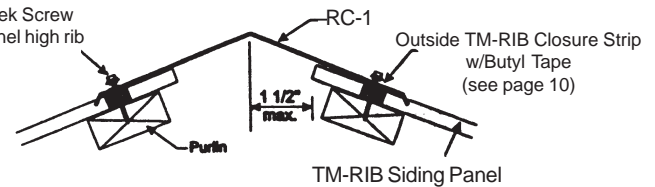


Length 10'-0"

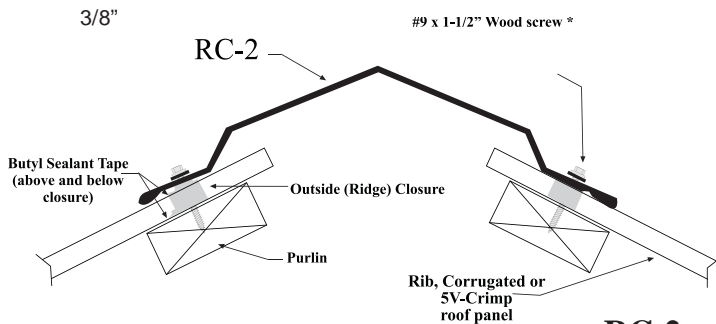
Residential Style  
Typical Pitch 3/12

RC-1

#9x1-1/2" Wood Screw  
or Tek Screw  
@panel high rib

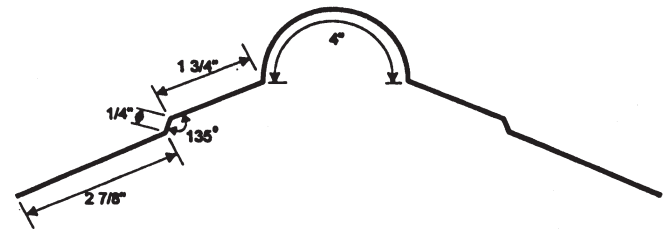


3/8"



RC-2

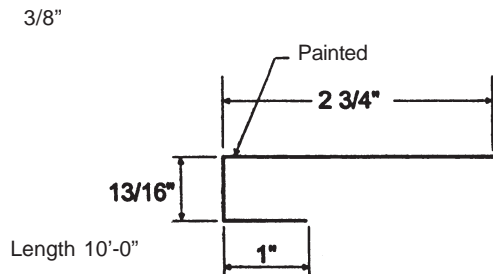
Selection \* & \*\*



Length 10'-0"

RC-4

3/8"

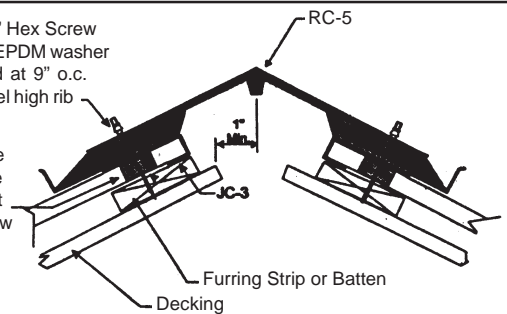


Length 10'-0"

JC-3

#9x2-1/2" Hex Screw  
w/bonded EPDM washer  
fastened at 9" o.c.  
@panel high rib

TM-RIB Outside  
(Ridge) Closure  
w/Butyl Sealant  
above and below  
closure



### VENTED RIDGE SYSTEM

TM-LOCK PANEL AVAILABLE IN 26 GAUGE PAINTED AND 26 & 29 GAUGE ACRYLIC GALVALUME

Thompson White • Black • Grey • Beige • Marine Green • Lightstone • Country Red • Island Blue • Forest Green • Brown • Bone White  
Premium Colors: Dark Bronze • Copper Penny • Patina Green

THOMPSON ARCHITECTURAL METALS • 5015 E. Hillsborough Avenue • Tampa, FL 33610 • (813) 248-3456 • Fax (813) 247-4616



# Thompson Architectural Metals

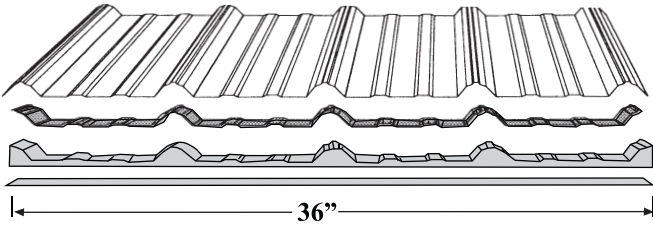
(813) 248-3456

(800) 248-3456

Fax (813) 247-4616

www.tamcometalroofs.com

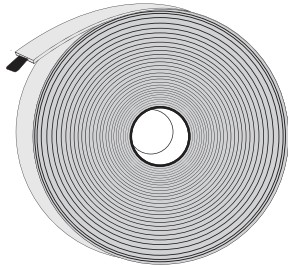
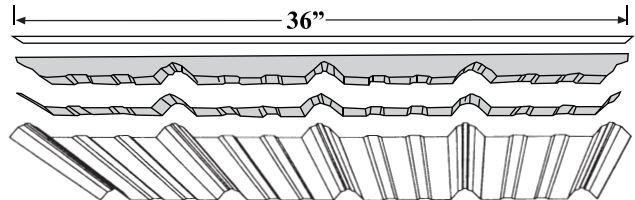
## TM-RIB METAL ROOFING COMPONENTS



**TM-RIB PANEL  
INSIDE CLOSURE STRIP**

Butyl sealant tape recommended above & below closure

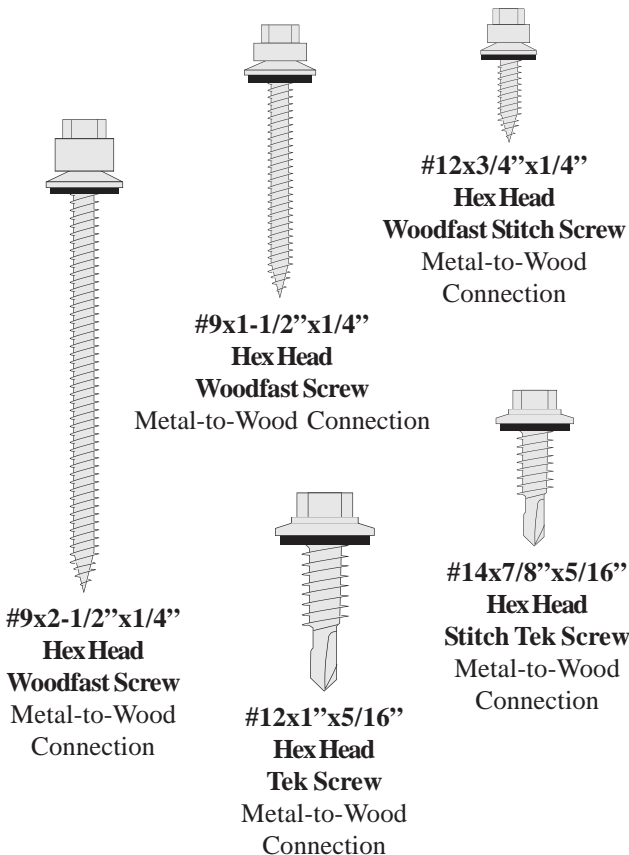
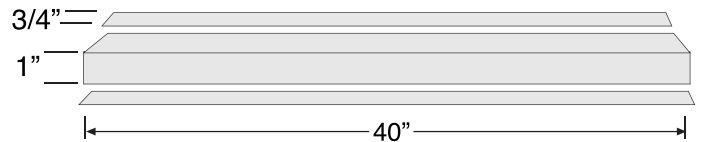
**TM-RIB PANEL  
OUTSIDE CLOSURE STRIP**  
Butyl sealant tape recommended above & below closure



3/32" x 1/2" x 45'

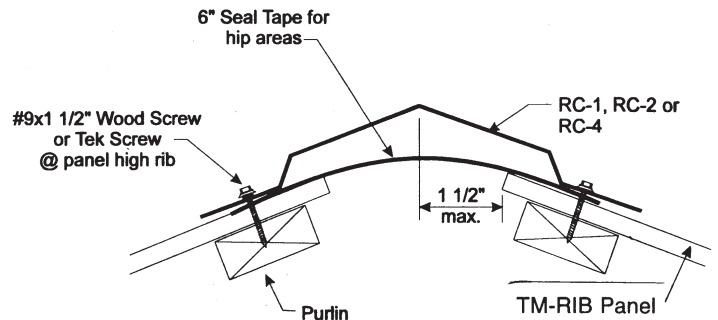
**BUTYL SEALANT  
TAPE**

**40" UNIVERSAL CLOSURE STRIP**  
Butyl sealant tape recommended above & below closure



\* For hip application, opening can be max. 3".

Delete the use of universal closure and apply  
6" wide sealant tape beneath ridge cap.

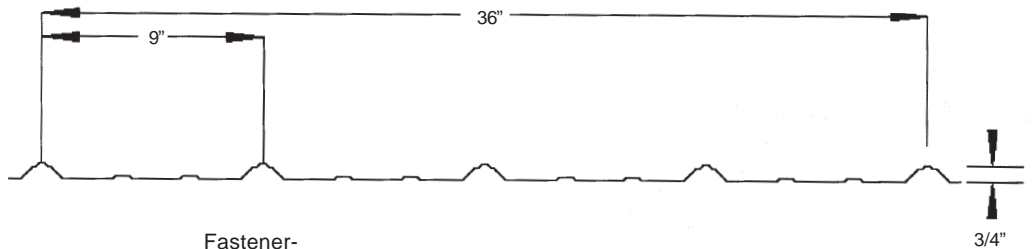




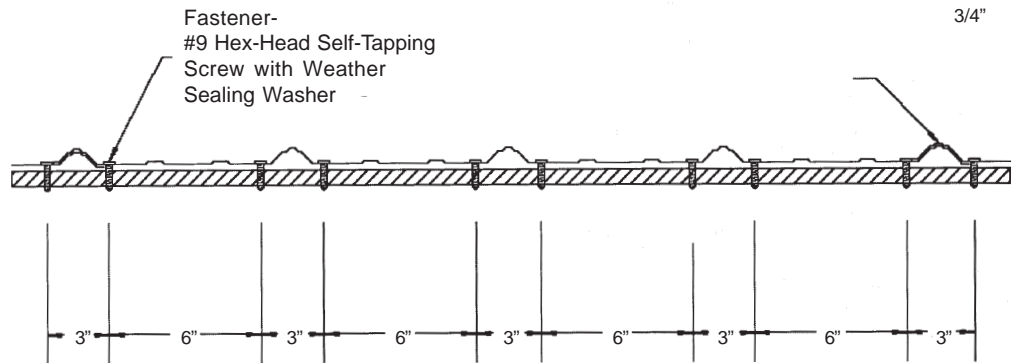
# Installation Method

## TM Rib Attached to Wood Deck

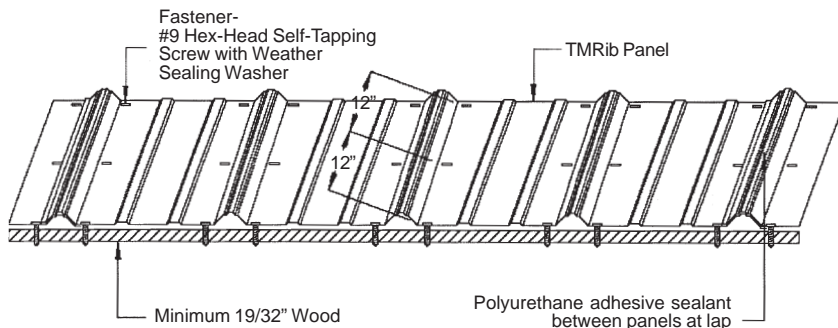
**Panel Profile**  
(FL11101.1 and FL11101.2)



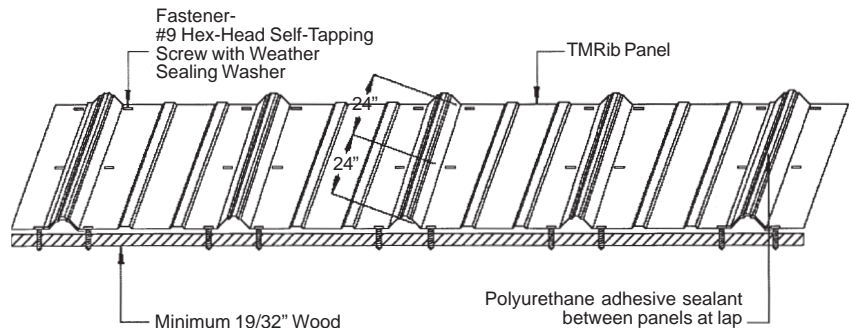
**Assembly Profile**  
(FL11101.1 and FL11101.2)



**Assembly Isometric View**  
(FL11101.1 101# psf rate)



**Assembly Isometric View**  
(FL11101.2 86# psf rate)





# Thompson Architectural Metals

**TM-RIB METAL ROOFING COMPONENTS**

(813) 248-3456

(800) 248-3456

Fax (813) 247-4616

[www.tamcometalroofs.com](http://www.tamcometalroofs.com)

## TERMS & CONDITIONS

### METAL ROOFING TERMS ARE STANDARD

#### Caution

Direct contact between pressure treated lumber and metal roofing must be avoided in order to prevent potential corrosion.

#### Critical Appearance Applications

The reverse roll coater provides precise application of the acrylic film, assuring uniform film thickness. However, uniform visual appearance of unpainted Galvalume sheet cannot be guaranteed. The normally occurring variations in surface appearance typical of all hot-dip Galvalume will still be present and will not be masked by the thin, clear acrylic film. If Galvalume visual appearance is critical, then prepainted Galvalume sheet should be ordered.

#### Wood Deck

Must be minimum of ½" structural plywood or OSB.

#### Job Site Delivery Available

Customer must have fork lift availability. Job site disclaimer must be completed to use this service.

#### Oil Canning

A certain amount of waviness, called oil canning, is inherent in products made from coiled metal. Job site conditions such as temperature variations, misaligned substrates and improper installation may aggravate the condition. Oil canning does not affect the structural integrity, or finish of the material and is not a cause for rejection. Advise your clients of oil canning prior to ordering.

#### Cancellations

Thompson will honor cancellation prior to manufacturing. Any order which has already been manufactured is the property of the purchaser.

#### Claims

All claims of shortage, damage, etc. must be made within 48 hours of the date of receipt. Claims must be accompanied by a copy of the bill of lading verified by the shipper which must indicate shortages or damages as received. Thompson can not honor shortage or damage claims on freight carriers unless the carrier's paperwork is duly noted.

#### Return Policy

All Thompson Panels orders are considered "special order products". Special order products can not be returned.

#### Warranted Products

Thompson Architectural Metals will be happy to provide you with a draft copy of our warranty for Acrylic Coated Galvalume or SMP painted products. Failure to request this draft will indicate your acceptance of the contents therein.

#### Indemnity

All prices and/or designs are subject to change without notice.

#### Safety

Thompson Architectural Metals recommends the compliance with the Florida Fall Protection Act. Please contact Thompson Architectural Metals if you have any questions.

#### Cleaning Painted Surfaces

Thompson Architectural Metals recommends that there be a systematic fresh water rinse maintenance program in effect in the areas of high salt concentration (such as adjacent to the seasonal and/or industrial atmospheres) so as to prevent the accumulation of concentrated mineral deposit. Cleaning will generally restore the appearance of buildings and render repainting unnecessary. An occasional light cleaning will also help maintain an aesthetically pleasing appearance.

#### Bleeding

Filings from screw installations and cutting fragments of the panels must be cleared off of the panels to avoid rust marks or "bleeding" on the panels. Failure to comply with the above procedures relieves TAMCO of responsibility for any resulting damaged to or deterioration of the finish. This voids out any paint or finish warranty.

**Disclaimer:** While we make every attempt at accuracy, we are not responsible for typographical or printing errors.

**TM-LOCK PANEL AVAILABLE IN 26 GAUGE PAINTED AND 26 & 29 GAUGE ACRYLIC GALVALUME**

Thompson White • Black • Grey • Beige • Marine Green • Lightstone • Country Red • Island Blue • Forest Green • Brown • Bone White  
Premium Colors: Dark Bronze • Copper Penny • Patina Green

**THOMPSON ARCHITECTURAL METALS • 5015 E. Hillsborough Avenue • Tampa, FL 33610 • (813) 248-3456 • Fax (813) 247-4616**