



OFF RIDGE ROOF VENT INSTALLATION

PREPARATION

Minimum 4/12 pitch required.

Cut out the off ridge opening in the roof sheathing as shown in Figure A. Size the opening in accordance with the correct cutting data models and locate the opening 6" minimum off the peak of the roof as shown in Figure B. For single vent applications, install vent as close to the center of the roof length as possible. Install multiple vents in evenly spaced areas of the entire roof length.

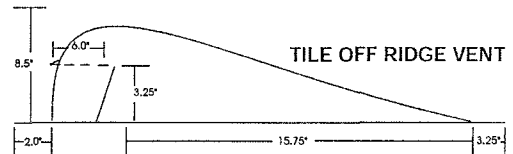
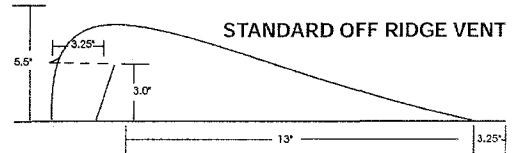
Do not cut into trusses or rafters when cutting hole in the roof.

FITTING

Remove interfering shingle nails around the perimeter of the opening. Slide top and side flanges of the vent up and under shingles. Allow the bottom vent flanges to lay on top of shingles.

MOUNTING

Care should be taken in keeping the vent properly aligned. Nail in place using 1-1/4" coating roofing nails spaced approximately 6" - 12" on center and 1-1/2" from each end. Roofing cement should be applied to all shingle edges and nail heads to prevent water leakage. In severe weather coastal construction zones, caulking around entire perimeter, under vent flanges and near outer edges is recommended.

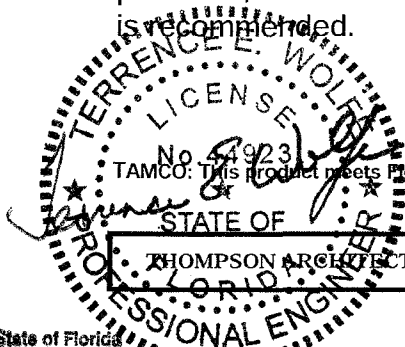
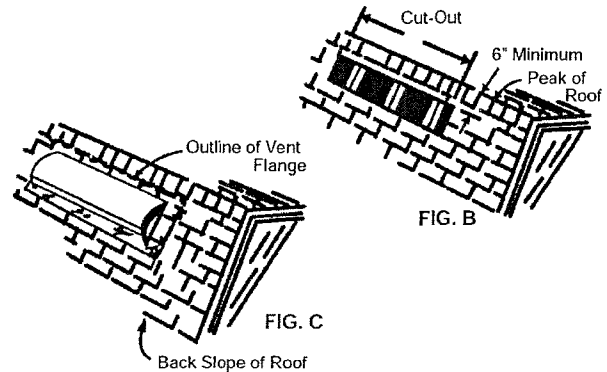


STANDARD OFF RIDGE VENT

| SIZE | LENGTH "L" | Area Net Free SQ IN | HEIGHT "H" | Cut Out Size |
|------|------------|---------------------|------------|--------------|
| 4' | 46.25 | 138 | 5.5" | 46" x 3" |
| 6' | 70.25 | 210 | 5.5" | 70" x 3" |
| 8' | 94.25 | 282 | 5.5" | 94" x 3" |
| 10' | 118.25 | 354 | 5.5" | 118" x 3" |

TILE OFF RIDGE VENT

| SIZE | LENGTH "L" | Area Net Free SQ IN | HEIGHT "H" | Cut Out Size |
|------|------------|---------------------|------------|--------------|
| 4' | 46.25 | 138 | 8.5" | 46" x 3" |
| 6' | 70.25 | 210 | 8.5" | 70" x 3" |
| 8' | 94.25 | 282 | 8.5" | 94" x 3" |
| 10' | 118.25 | 354 | 8.5" | 118" x 3" |

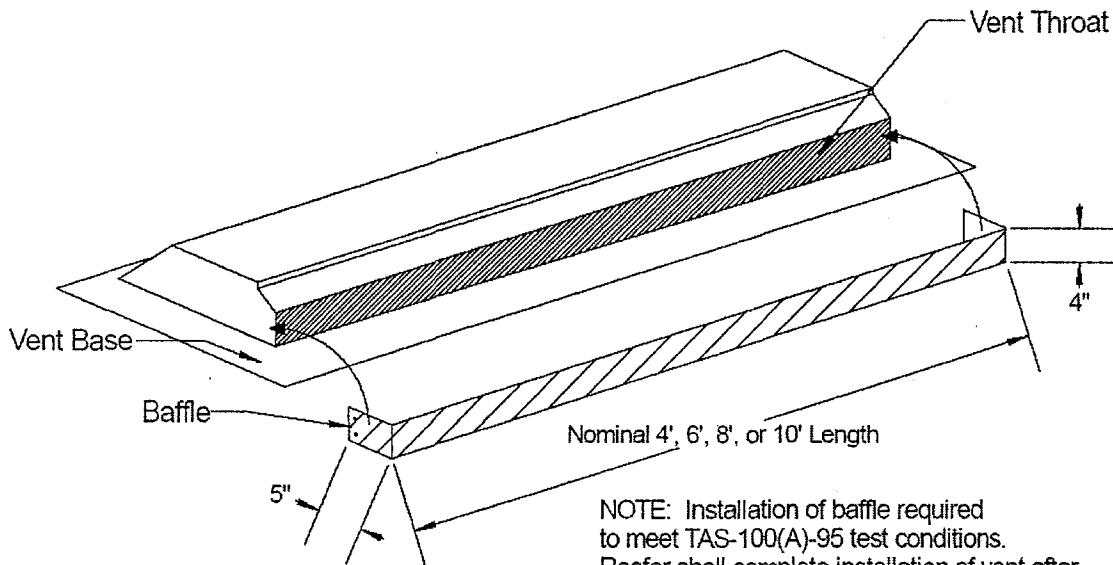


Installation Method

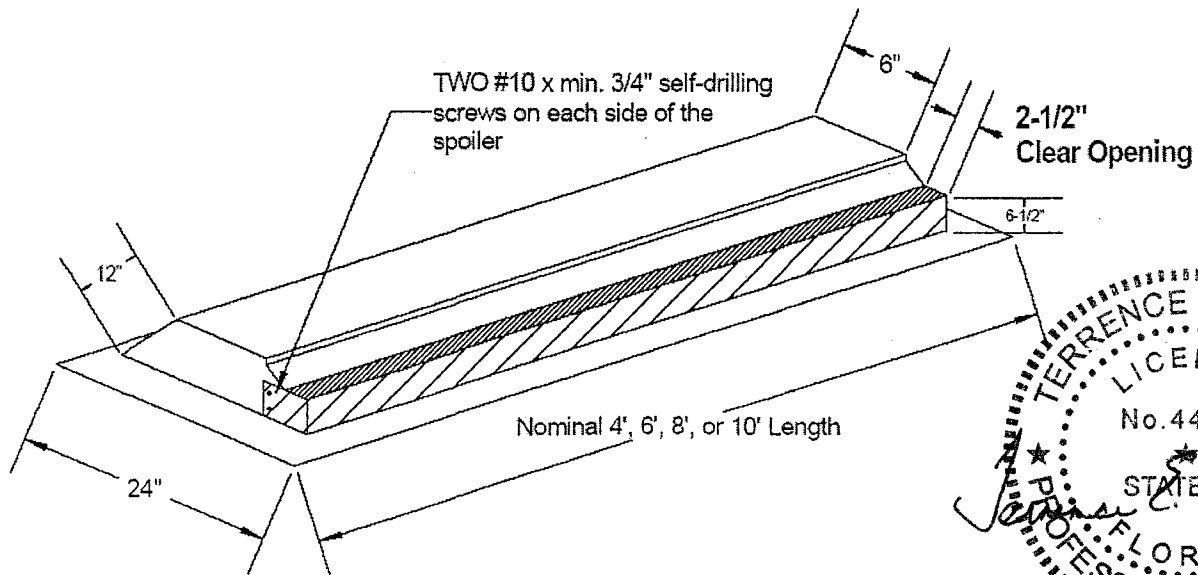
Thompson Architectural Metals Company

“Standard Off Ridge Vent with Baffle”

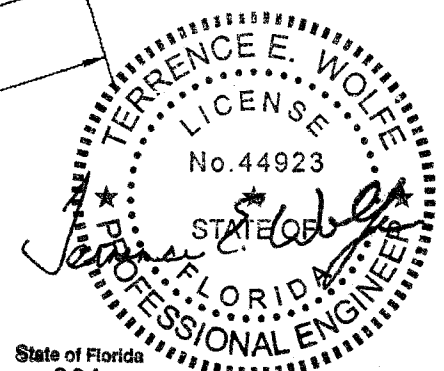
Attached to Wood Deck



NOTE: Installation of baffle required to meet TAS-100(A)-95 test conditions. Roofer shall complete installation of vent after shingles are layed down to edge of the vent base. The baffle rests upon the top surface of shingles and is fitted around the vent throat to allow for an approximately 2-1/2" clear opening. Installation is complete upon the baffle being attached with TWO #10 x min. penetration 3/4" self-drilling screws through each flange into the sides of the vent housing.



Standard Off Ridge Vent with Baffle

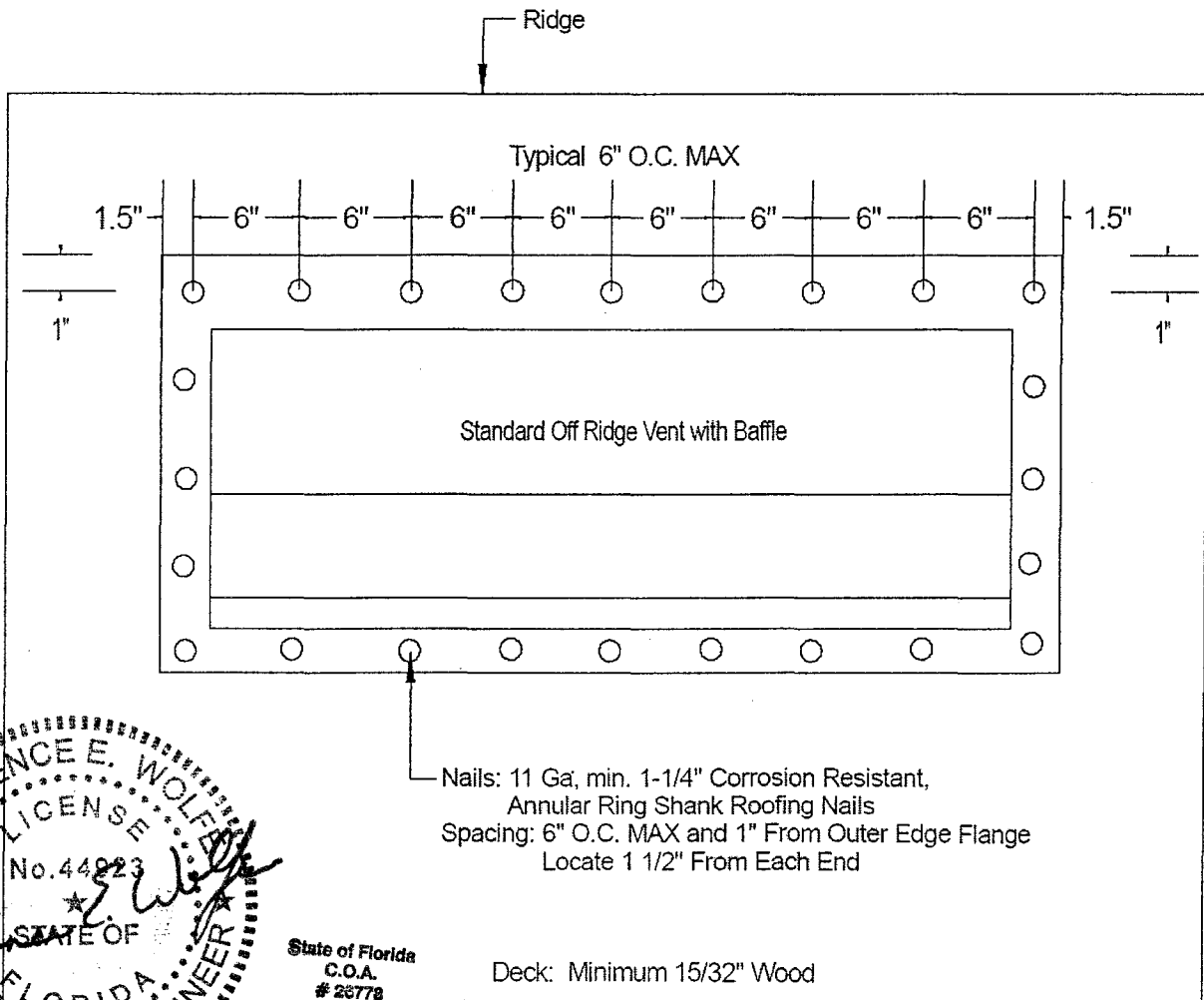


JUL 14 2008

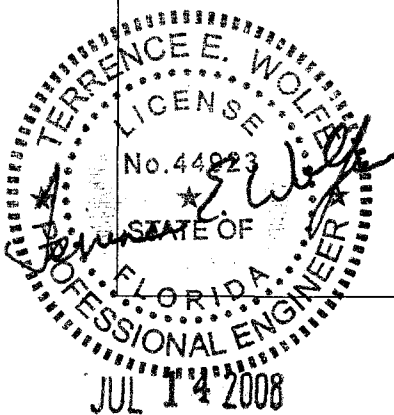
Installation Method (Continued)
Thompson Architectural Metals Company
“Standard Off Ridge Vent with Baffle”
Attached to Wood Deck

Standard Off Ridge Vent with Baffle

| Size | Length | Height |
|------|--------|--------|
| 4' | 46.25 | 8.5" |
| 6' | 70.25 | 8.5" |
| 8' | 94.25 | 8.5" |
| 10' | 118.25 | 8.5" |



Plan View



State of Florida
 C.O.A.
 # 25778