



*Thompson Architectural  
Metals*

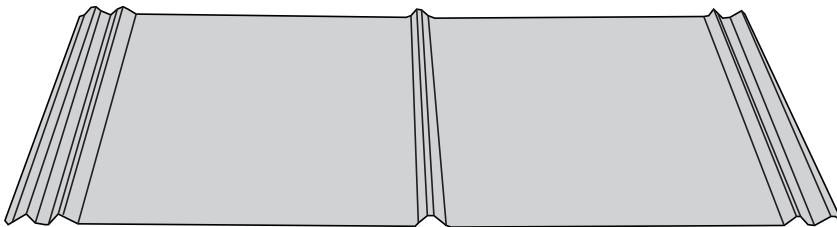
(813) 248-3456

(800) 248-3456

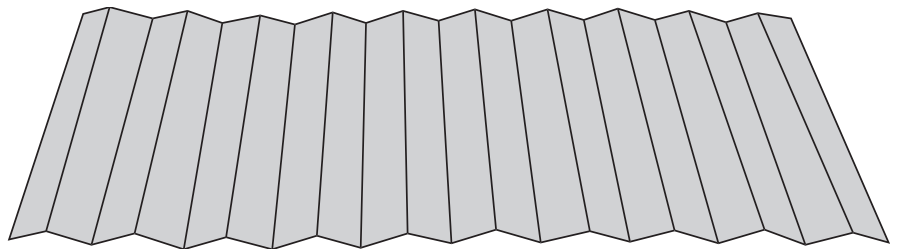
Fax (813) 247-4616

[www.tamcometalroofs.com](http://www.tamcometalroofs.com)

# 5V and CORRUGATED Accessory Detail Manual



NOA # 06-0921.07 Miami Dade Approved - 5V Only



Site Specific Engineering Required



Thompson Architectural Metal Roofing  
is proud to be a partner of the  
Energy Star Roof Products Program

## **SINGLE SOURCE SERVICE**

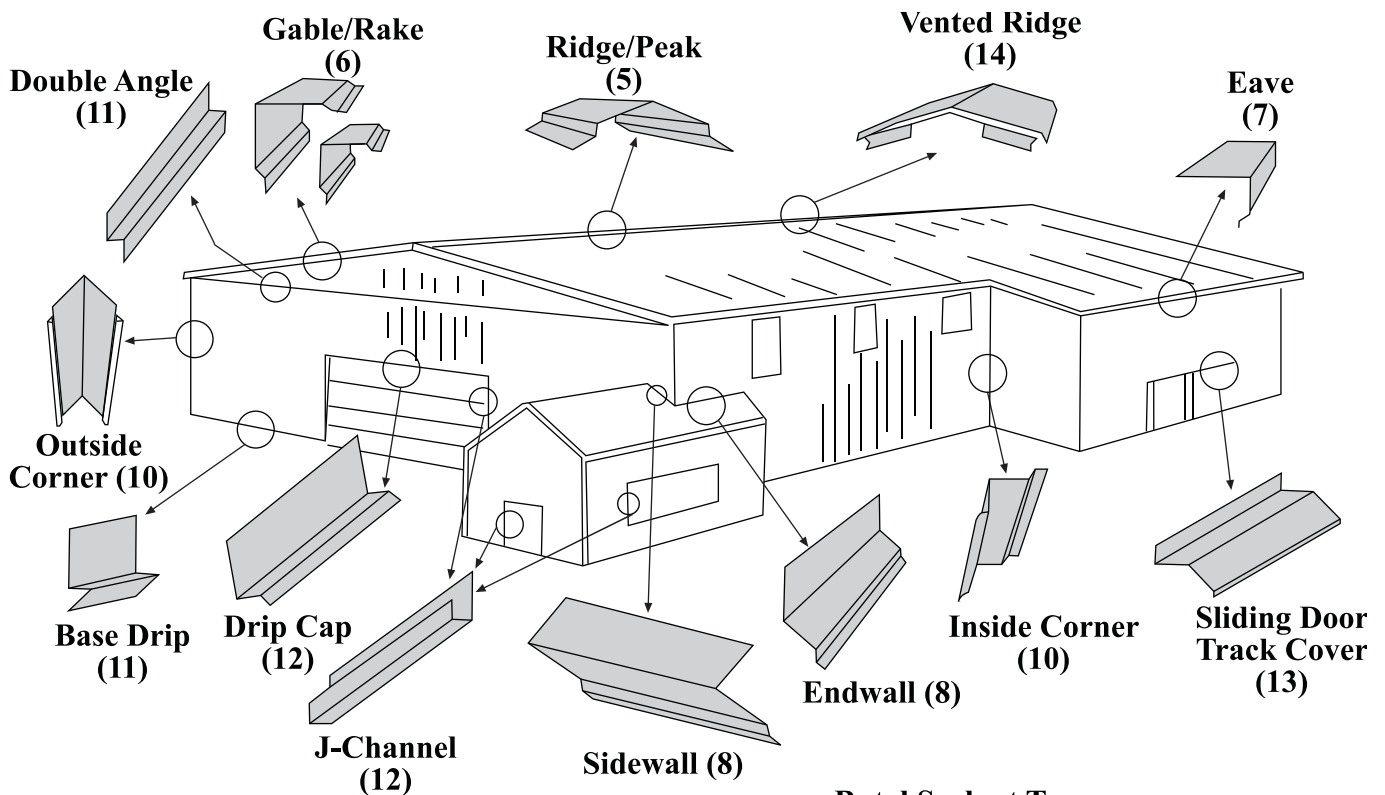
Take Offs and Site Specific Engineering  
are available. Contact your local  
distributor for details.

[www.tamcometalroofs.com](http://www.tamcometalroofs.com)

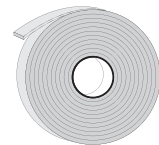
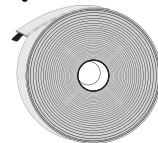


# ACCESSORY DETAIL MANUAL

## Agricultural / Post-Frame Details



**Butyl Sealant Tape**



**Expanding  
Foam Roll**

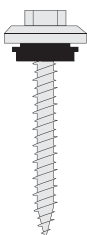
**Inside & Outside  
Closures**



**1-1/2" Long  
Wood Screws  
with bonded  
neoprene washer**



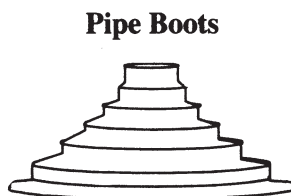
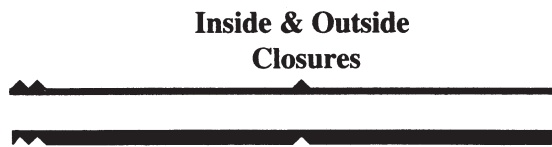
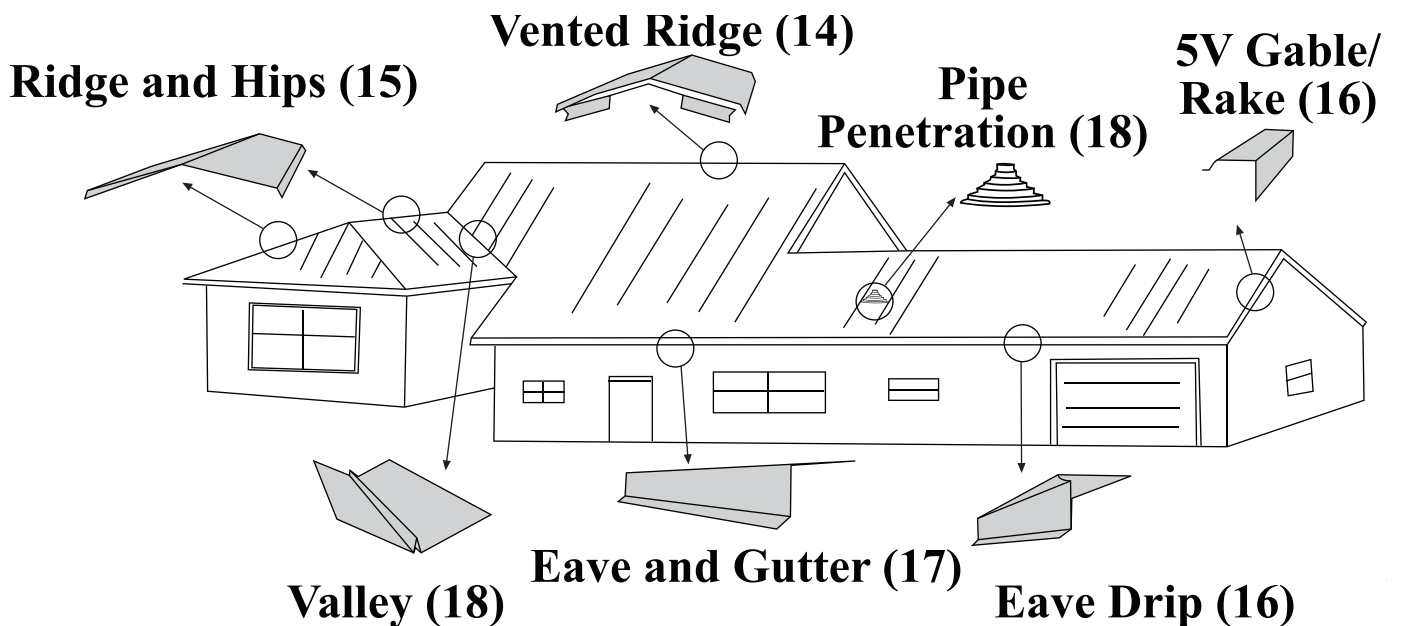
**Ultimate  
Screw**



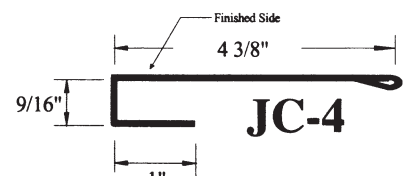
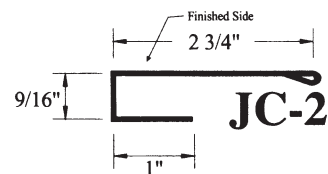


# ACCESSORY DETAIL MANUAL

## Residential / Commercial Details



**1-1/2" Long  
Wood Screws\*  
with bonded  
neoprene washer**





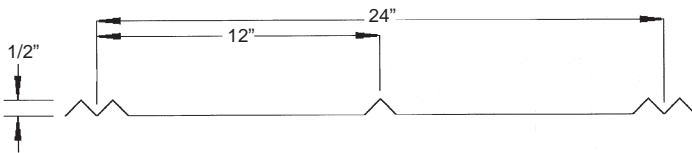
# ACCESSORY DETAIL MANUAL

## Installation Method

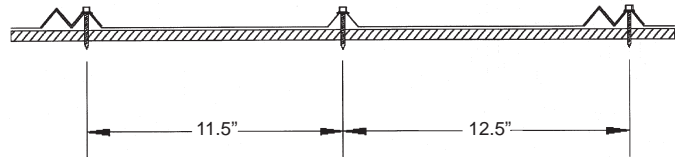
(FL11101.3)

#06-0921.07 Miami-Dade Approved

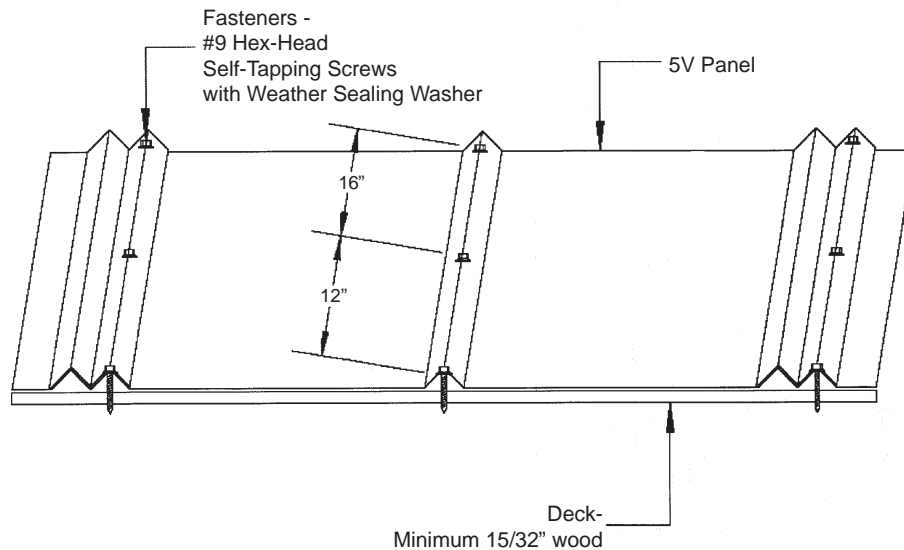
Panel Profile



Assembly Profile



Assembly Isometric View



## Corrugated Fastening Schedule

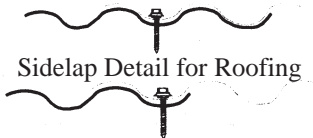
### Using SCREWS



For all plywood decking



For eaves, ridges, and endlaps

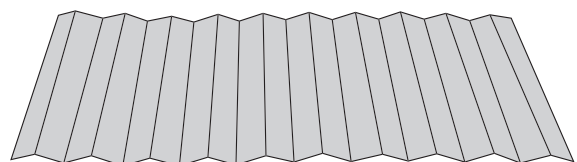


Sidelap Detail for Roofing



Sidelap Detail for Siding

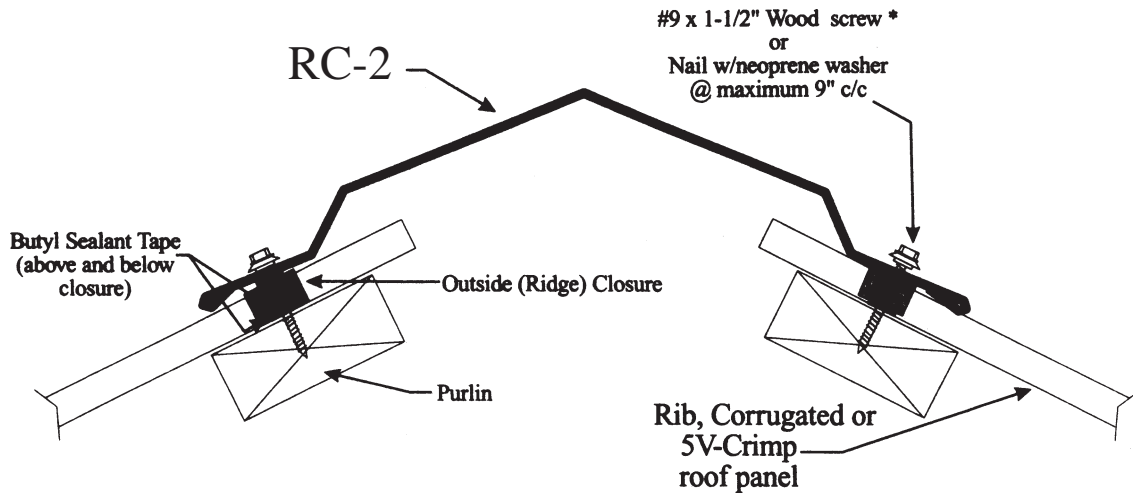
21" for Roofing  
24" for Siding Application



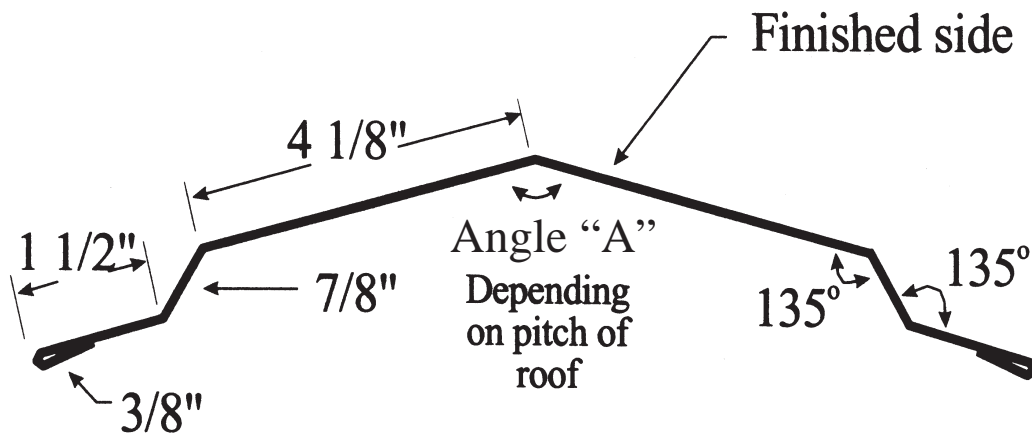
2-1/2 x 1/2"



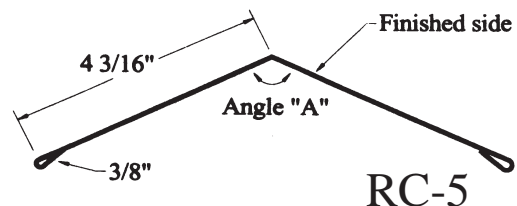
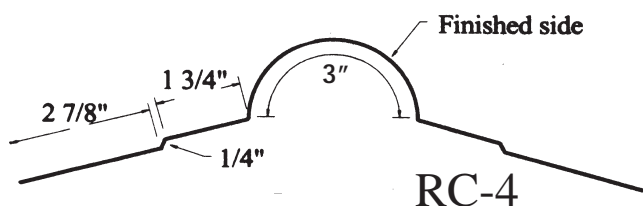
# ACCESSORY DETAIL MANUAL



## Post-Frame Ridge

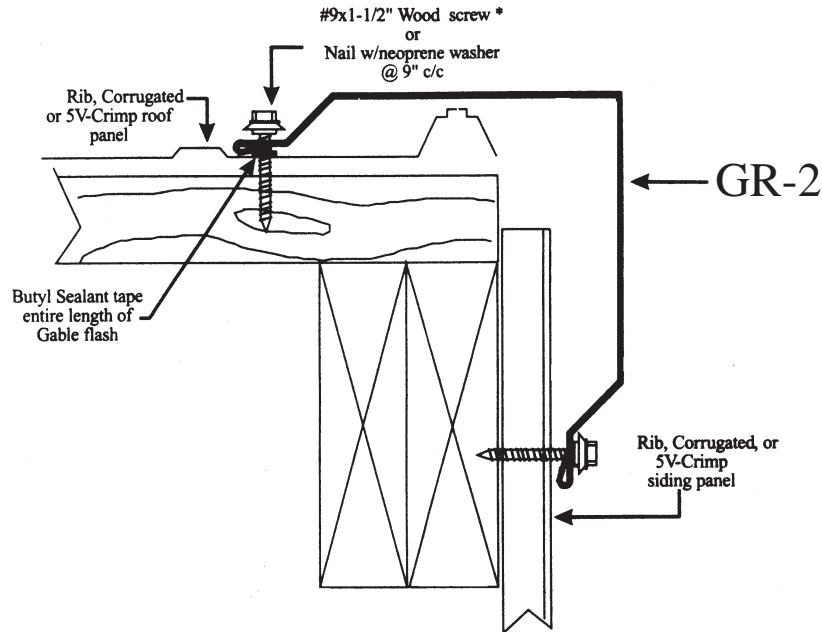


### Optional Flashings to Use

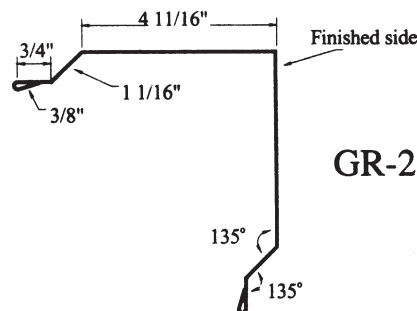




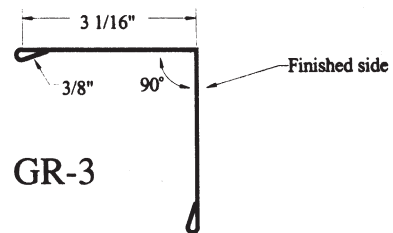
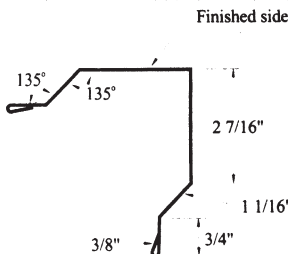
# ACCESSORY DETAIL MANUAL



## Post-Frame Gable (Rake)

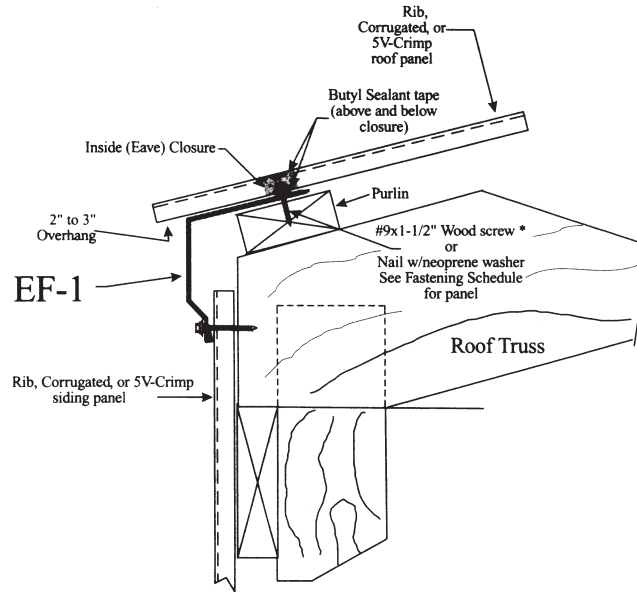


### Optional Flashings to Use

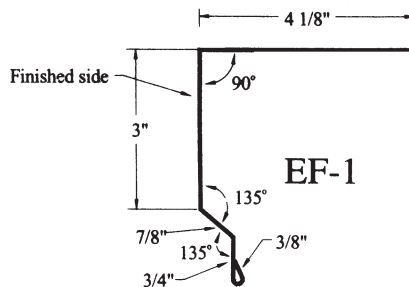




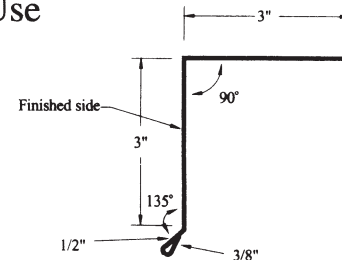
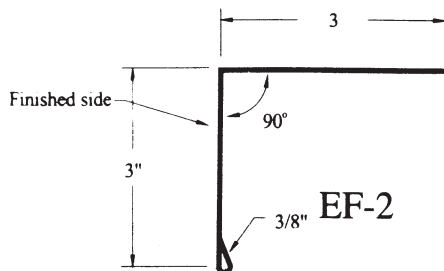
ACCESSORY DETAIL MANUAL



Post-Frame Eave

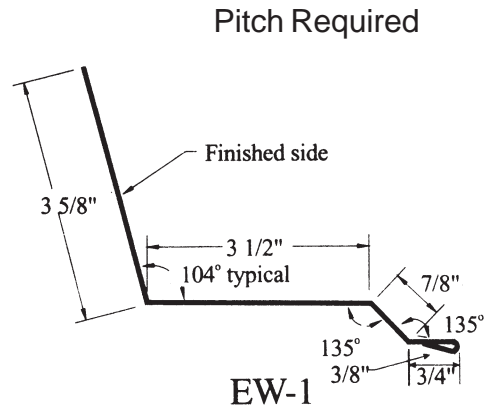
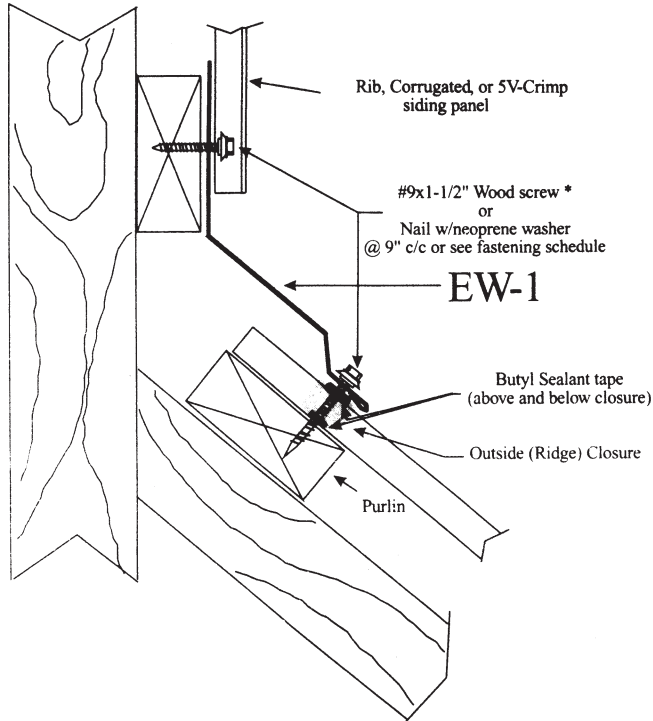


Optional Flashings to Use

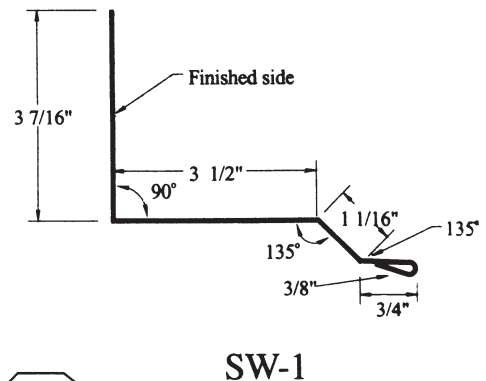
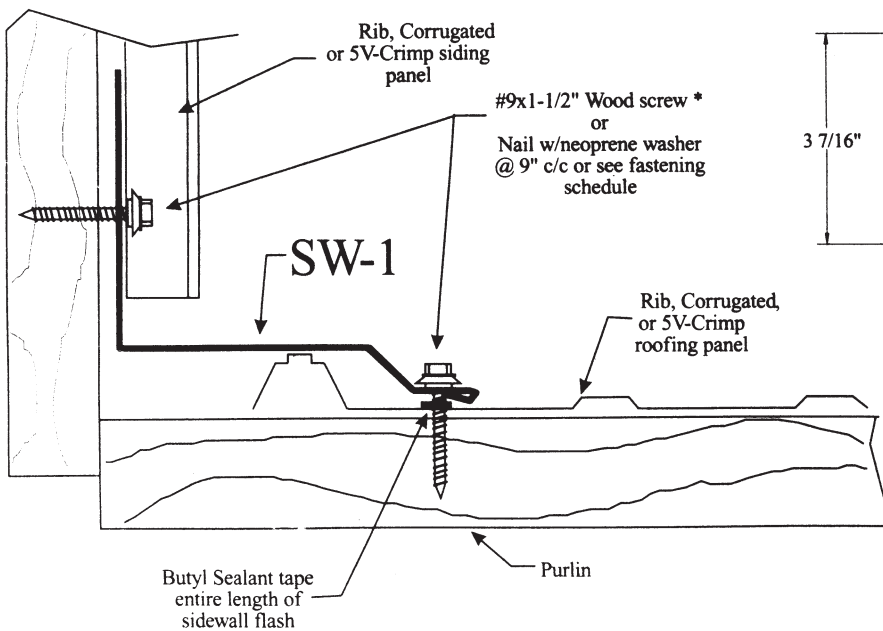




# ACCESSORY DETAIL MANUAL



## Post-Frame Endwall & Sidewall







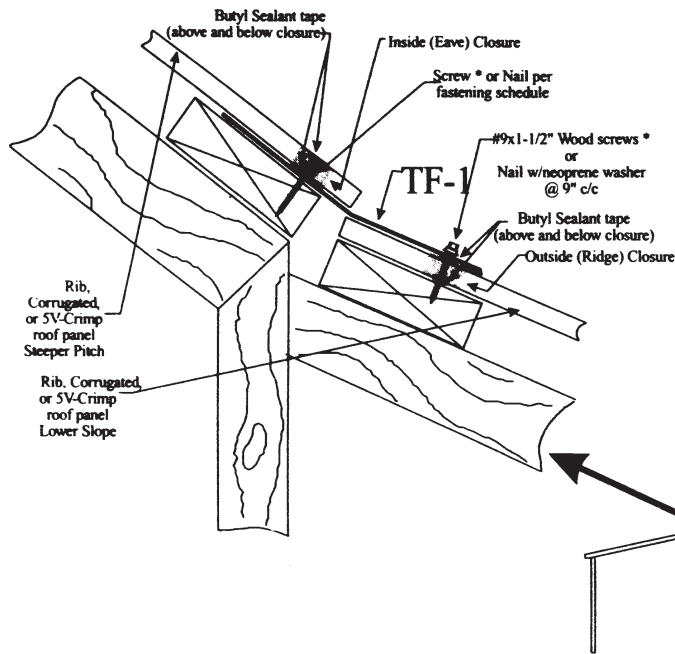
# Thompson Architectural Metals

(813) 248-3456

(800) 248-3456

Fax (813) 247-4616

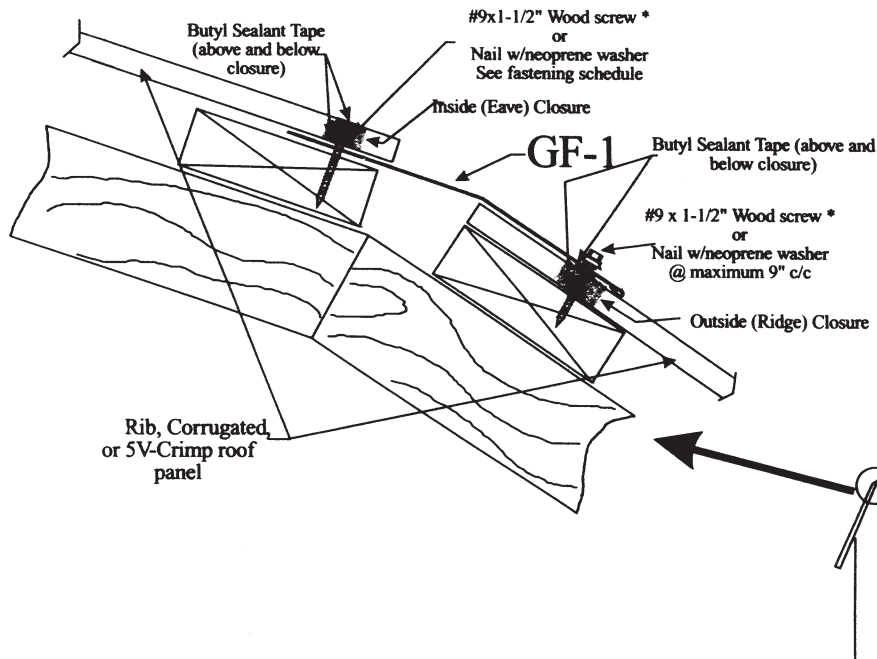
www.tamcometalroofs.com



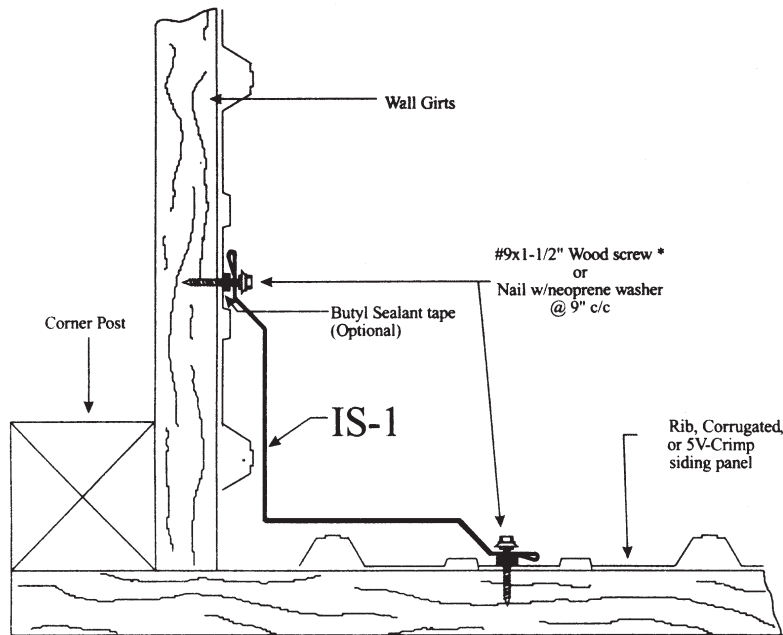
Requires Pitch to Pitch



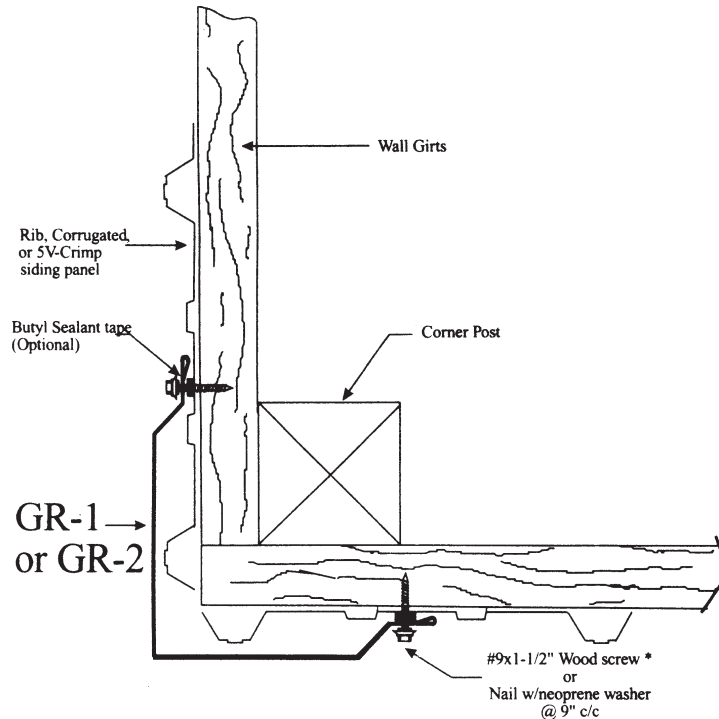
## Post-Frame Transition & Gambrel

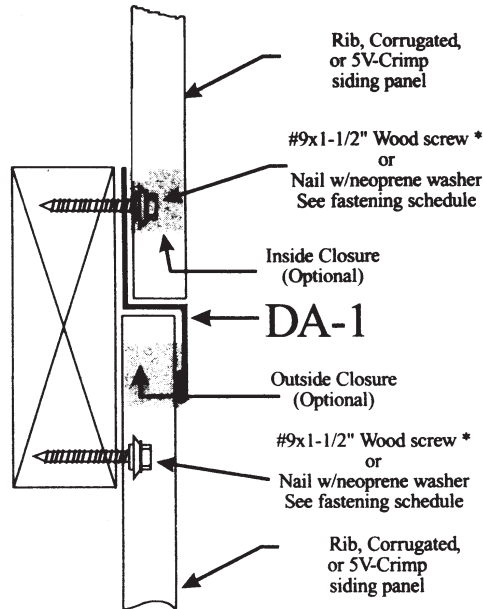


Requires Pitch to Pitch

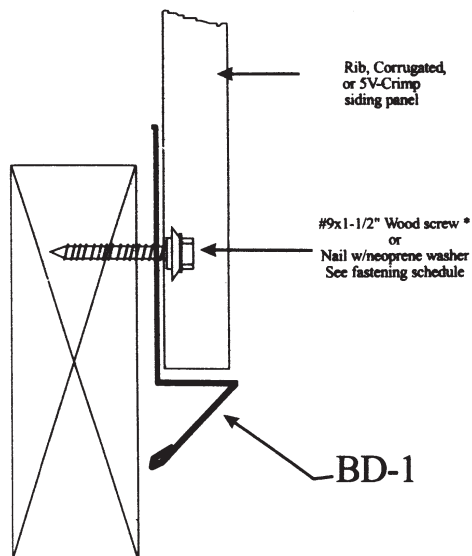


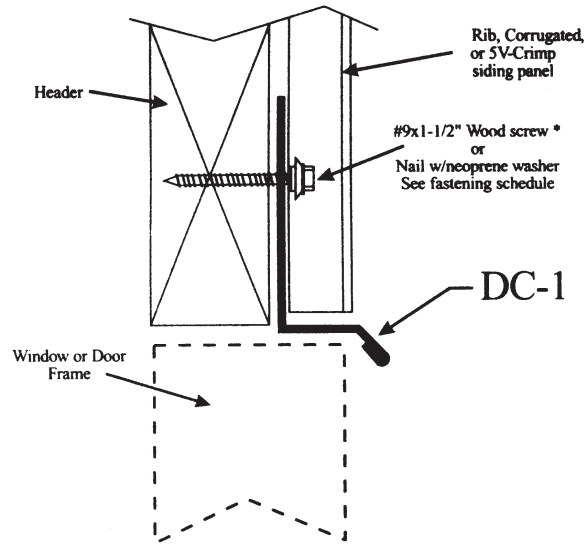
## Siding - Inside & Outside Corridor



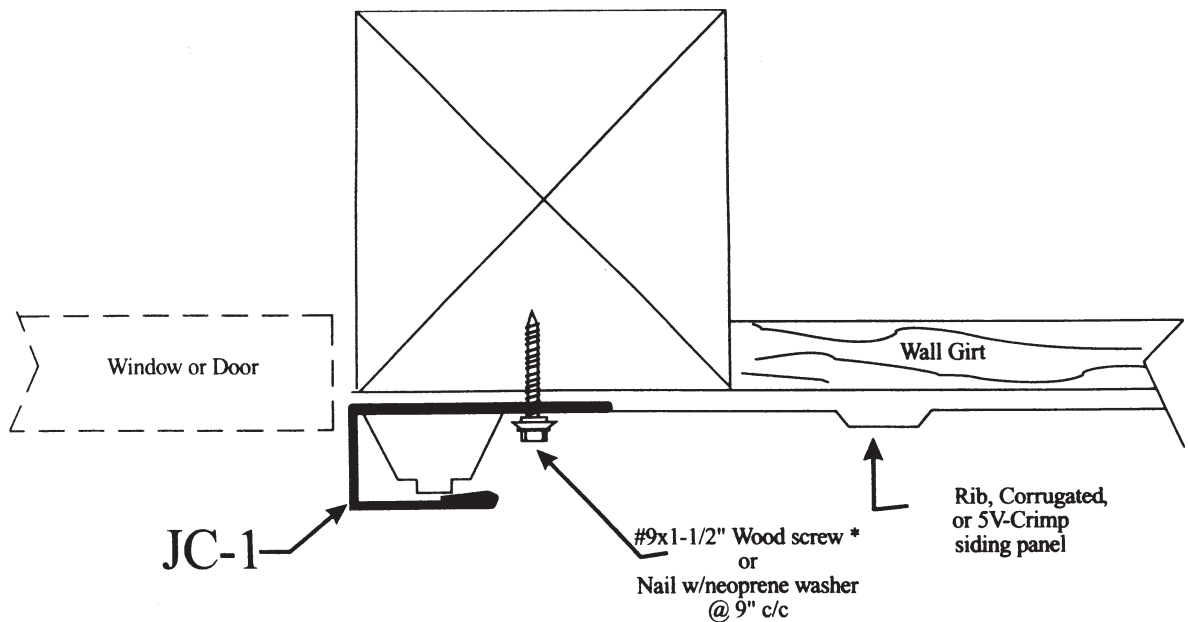


## Siding Double Angle and Base Drip



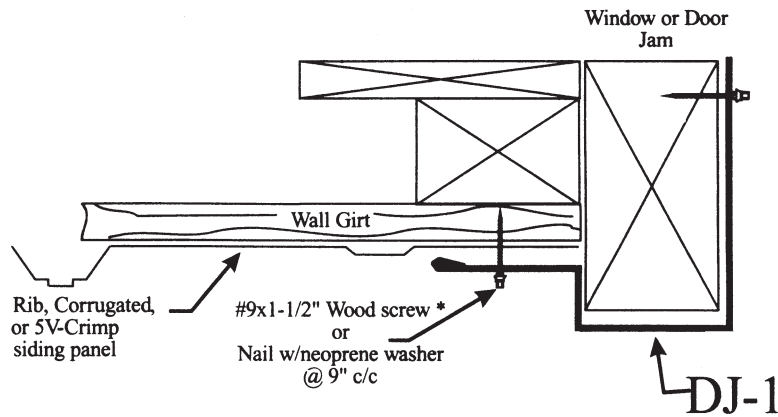


## Drip Cap and J-Channel

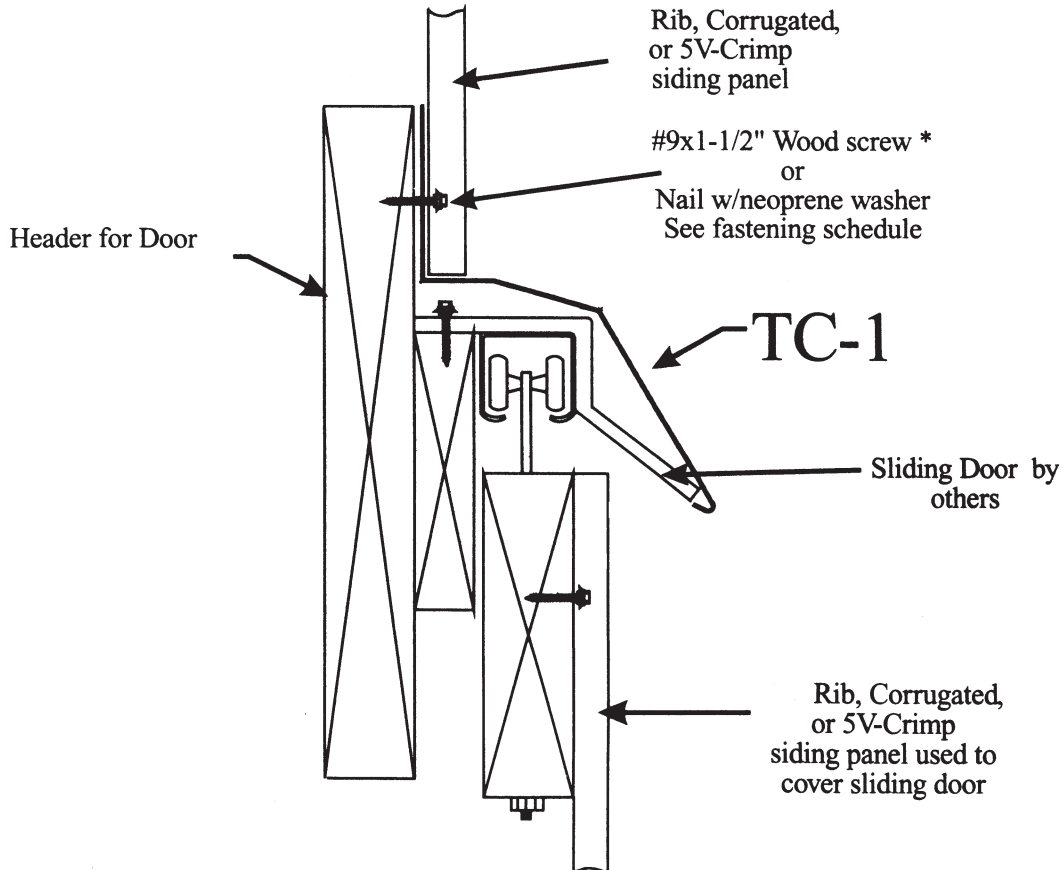




ACCESSORY DETAIL MANUAL

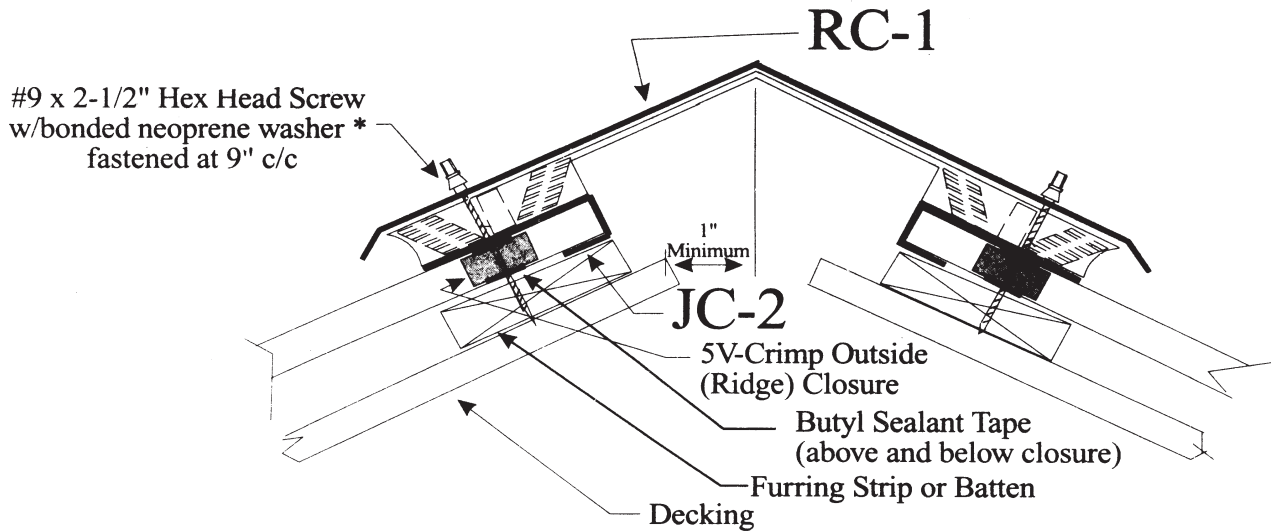


Door Jamb and Sliding Door-Track Cover

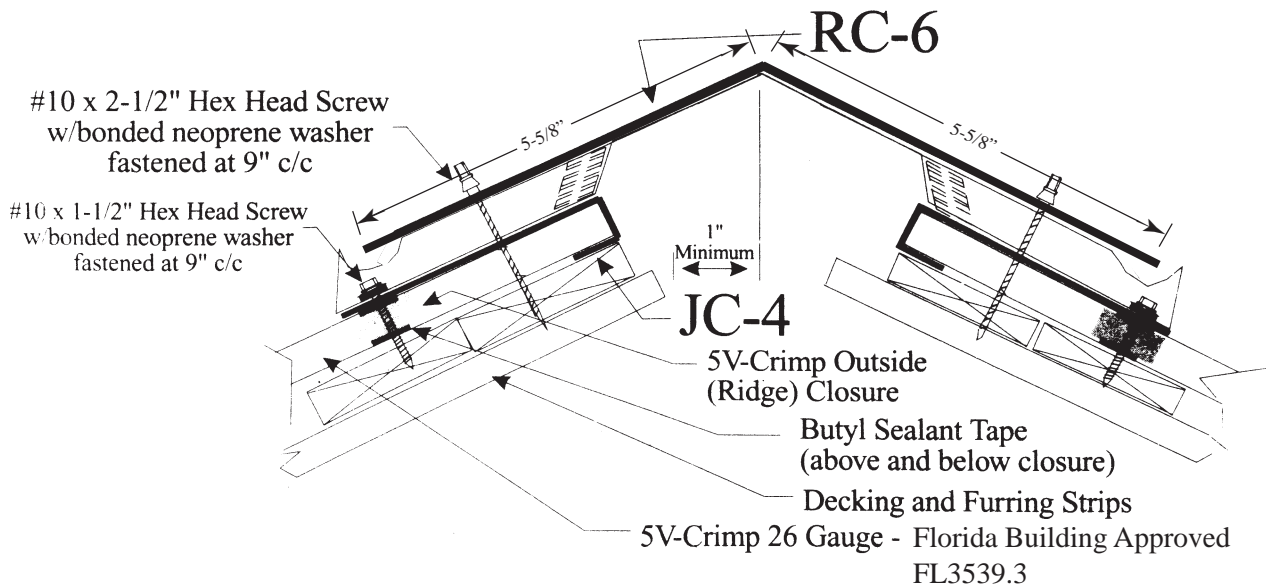




# ACCESSORY DETAIL MANUAL

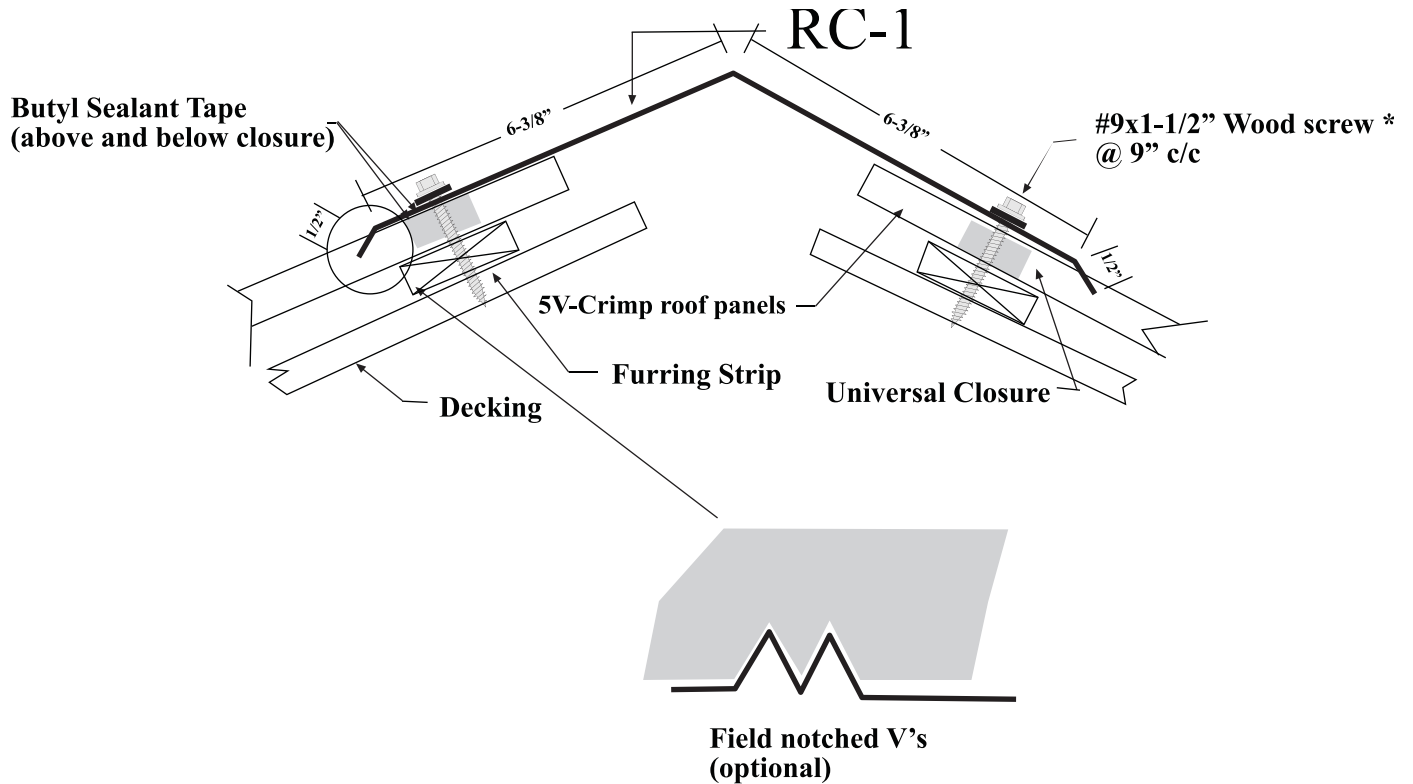


## 5V-Crimp Vented Ridges

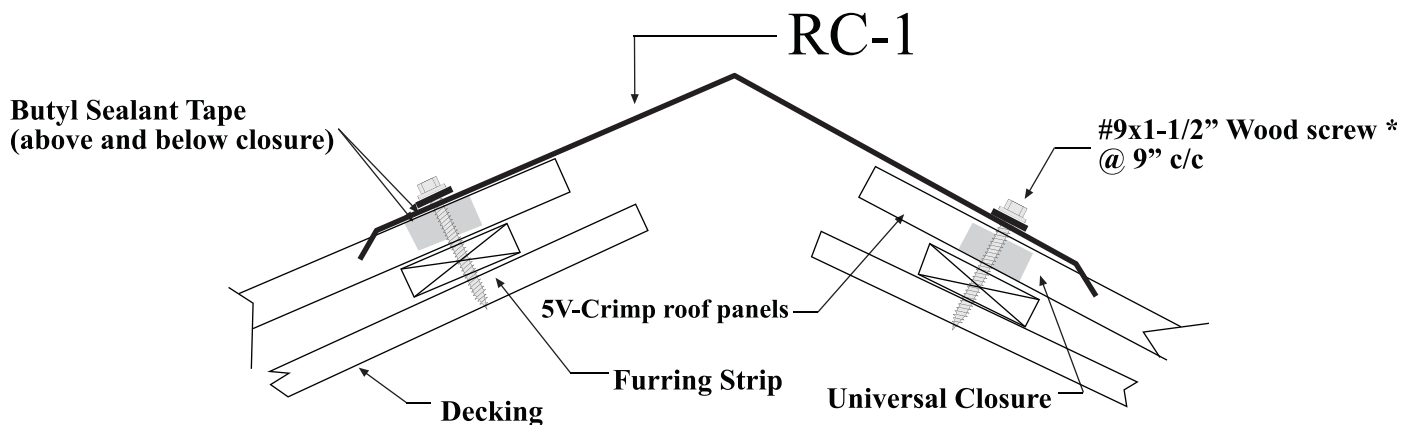




ACCESSORY DETAIL MANUAL

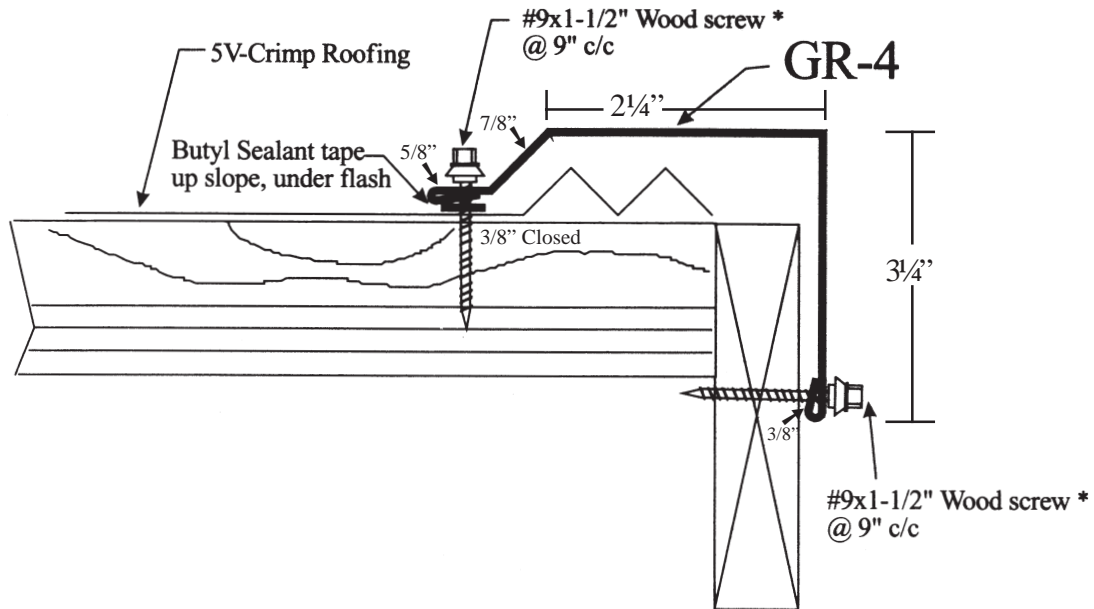


5V-Crimp Ridge and Hip

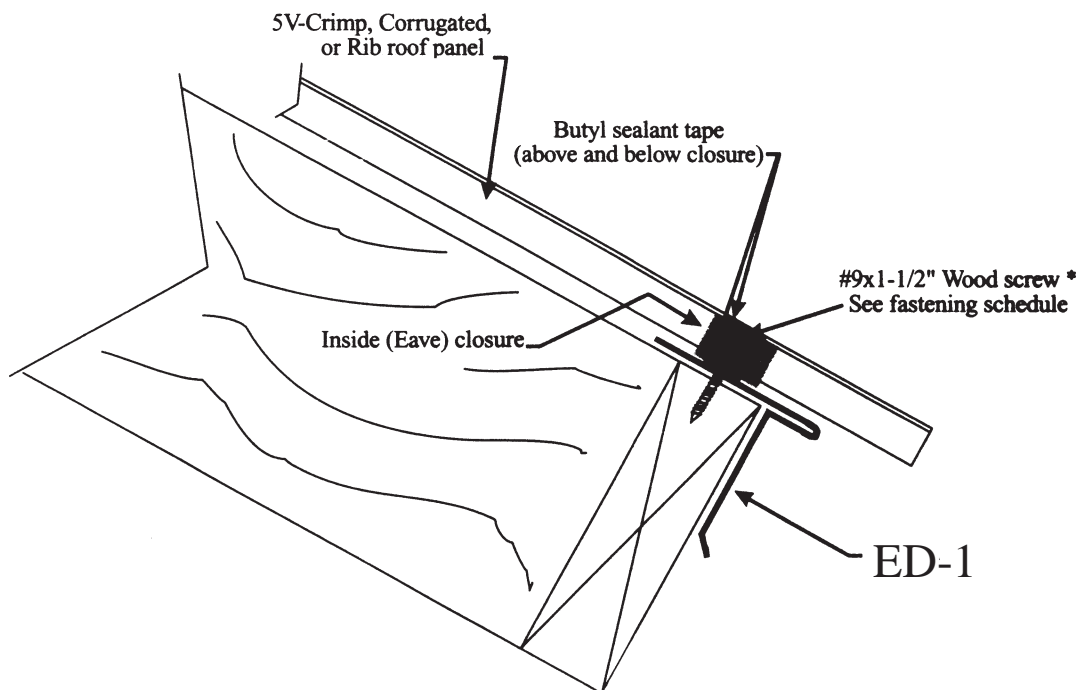




# ACCESSORY DETAIL MANUAL



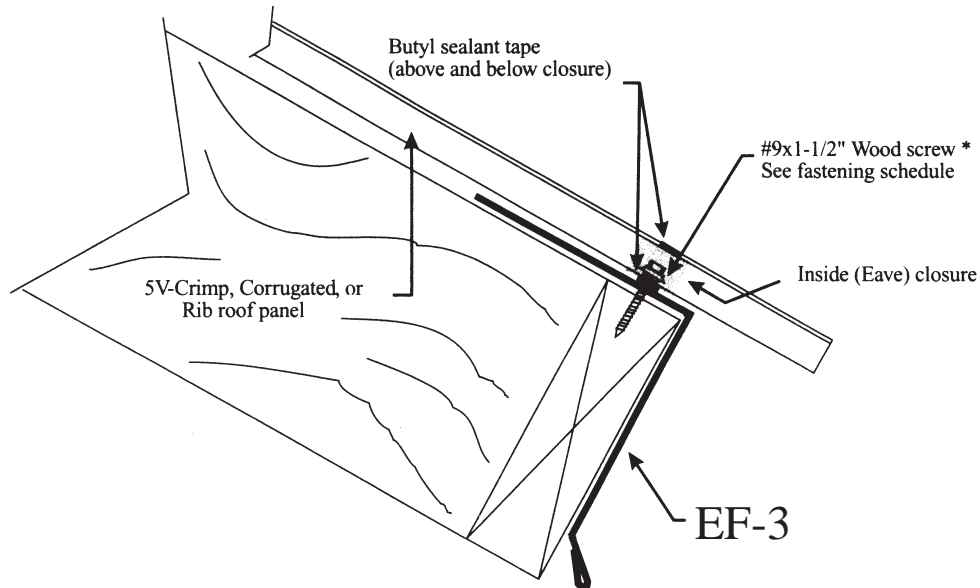
## 5V-Crimp Gable and Residential Eave Drip



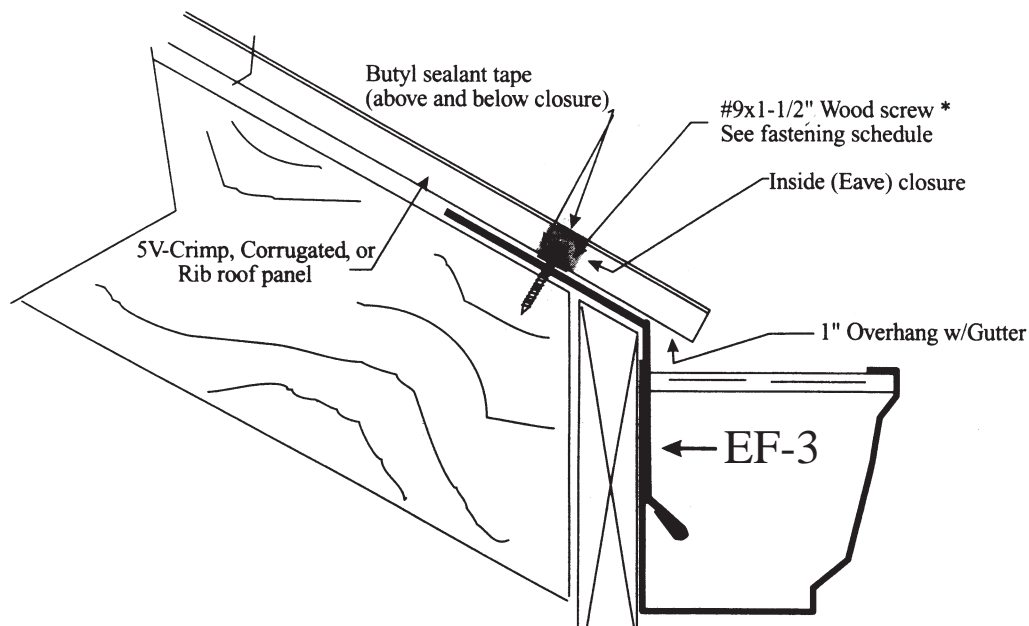




## ACCESSORY DETAIL MANUAL



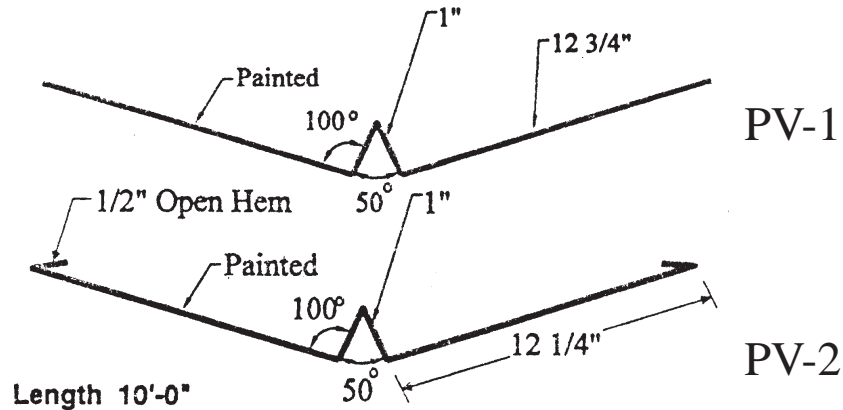
## Residential Eave and Gutter



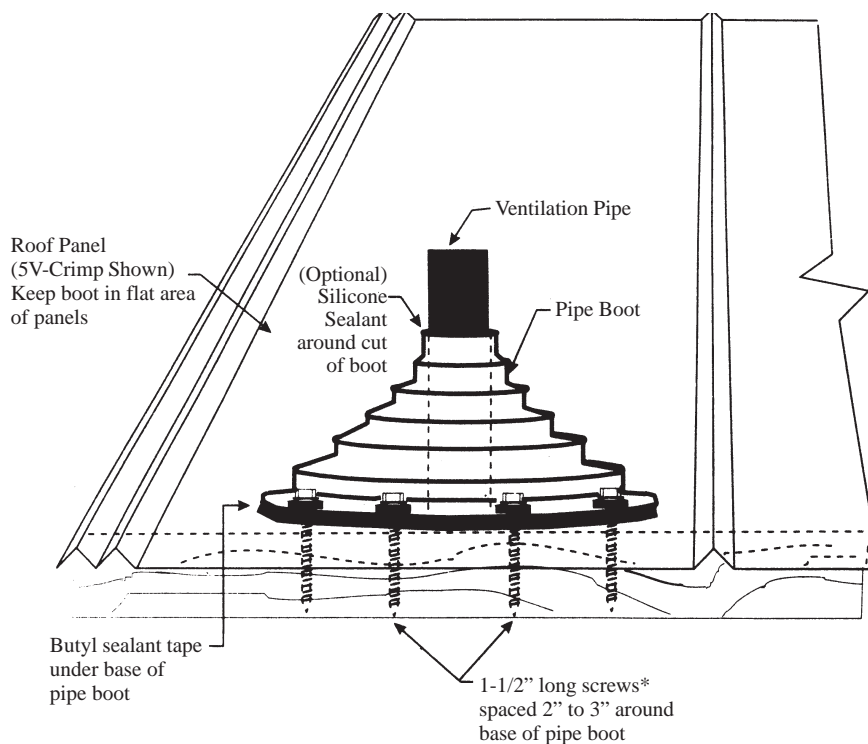


# ACCESSORY DETAIL MANUAL

Selection \* & \*\*



## Residential Valley and Pipe Penetration





## **TERMS & CONDITIONS**

### **METAL ROOFING TERMS ARE STANDARD**

#### **Caution**

Direct contact between pressure treated lumber and metal roofing must be avoided in order to prevent potential corrosion.

#### **Critical Appearance Applications**

The reverse roll coater provides precise application of the acrylic film, assuring uniform film thickness. However, uniform visual appearance of unpainted Galvalume sheet cannot be guaranteed. The normally occurring variations in surface appearance typical of all hot-dip Galvalume will still be present and will not be masked by the thin, clear acrylic film. If Galvalume visual appearance is critical, then prepainted Galvalume sheet should be ordered.

#### **Wood deck**

Must be minimum of 15/32" structural plywood or OSB.

#### **Job Site delivery available**

Customer must have fork lift availability. Job site disclaimer must be completed to use this service.

#### **Oil Canning**

A certain amount of waviness, called oil canning, is inherent in products made from coiled metal. Job site conditions such as temperature variations, misaligned substrates and improper installation may aggravate the condition. Oil canning does not affect the structural integrity, or finish of the material and is not a cause for rejection. Advise your clients of oil canning prior to ordering.

#### **Cancellations**

Thompson will honor cancellation prior to manufacturing. Any order which has already been manufactured is the property of the purchaser.

#### **Claims**

All claims of shortage, damage, etc. must be made within 48 hours of the date of receipt. Claims must be accompanied by a copy of the bill of lading verified by the shipper which must indicate shortages or damages as received. Thompson can not honor shortage or damage claims on freight carriers unless the carrier's paperwork is duly noted.

#### **Return Policy**

All Thompson Panels orders are considered "special order products". Special order products can not be returned.

#### **Warranted Products**

Thompson Architectural Metals will be happy to provide you with a draft copy of our warranty for Acrylic Coated Galvalume or SMP painted products. 40 Year SMP Paint Finish Warranty. Galvalume ASTM-A792. Limited 25 year warranty on mill finish. Failure to request this draft will indicate your acceptance of the contents therein.

#### **Indemnity**

All prices and/or designs are subject to change without notice.

#### **Safety**

Thompson Architectural Metals recommends the compliance with the Florida Fall Protection Act. Please contact Thompson Architectural Metals if you have any questions.

#### **Cleaning Painted Surfaces**

Thompson Architectural Metals recommends that there be a systematic fresh water rinse maintenance program in effect in the areas of high salt concentration (such as adjacent to the seasonal and/or industrial atmospheres) so as to prevent the accumulation of concentrated mineral deposit. Cleaning will generally restore the appearance of buildings and render repainting unnecessary. An occasional light cleaning will also help maintain an aesthetically pleasing appearance.

#### **Bleeding**

Filings from screw installations and cutting fragments of the panels must be cleared off of the panels to avoid rust marks or "bleeding" on the panels. Failure to comply with the above procedures relieves TAMCO of responsibility for any resulting damaged to or deterioration of the finish. This voids out any paint or finish warranty.

**Disclaimer:** While we make every attempt at accuracy, we are not responsible for typographical or printing errors.



# *Thompson Architectural Metals*

(813) 248-3456

(800) 248-3456

Fax (813) 247-4616

[www.tamcometalroofs.com](http://www.tamcometalroofs.com)

## **Local Code / Zoning Compliance:**

Always check with your local building department regarding permitting and applicable code requirements. Thompson Architectural Metals acts only as the seller of roofing materials and has no control of the application of materials, or the conditions under which they are applied. Thompson Architectural Metals assumes no responsibility for the performance of the roofing material beyond the obligation to the manufacture and ship quality materials which are suitable for the purpose intended. Thompson Architectural Metals has assembled this publication for the sole purpose of providing its customers with suggested and commonly used applications and practices in the assembly of Thompson Architectural Metals metal roofing and its accessories.



Thompson Architectural Metal Roofing is proud to be a partner of the Energy Star Roof Products Program

**For Technical Support call  
813-248-3456 or 800-248-3456**

**For sales, pricing, and delivery information contact:  
Thompson Architectural Metals Co., Inc.**

5015 E. Hillsborough Avenue  
Tampa, Florida 33610  
(813) 248-3456 • (800) 248-3456 • FAX (813) 247-4616

\*a subsidiary of L.V. Thompson, Inc.